

WE PROTECT THE THINGS THAT PROTECT YOU



STI products help prevent false fire alarms as well as vandalism, theft, accidental damage and misuse of devices and equipment we all depend on.



COMPANY PROFILE

Established in 1994 Safety Technology International (Europe) Ltd; STI (Europe) is the European division of Safety Technology International, Inc (STI) based in Waterford, Michigan.

STI is a family owned and operated business that began over thirty years ago with Jack Taylor's invention of the Stopper Pull Station Protector. The product range now consists of a wide range of devices designed to protect fire and security equipment from vandalism, theft or accidental damage.

STI (Europe) manufactures and distributes the full product range throughout the UK and Europe and is fully committed to the development of new unique and innovative products and the improvement of its existing range.

The company prides itself on customer service through the provision of resources to deliver excellence throughout the organisation. It continually reviews its operations, fine tuning policies, procedures and processes with the sole objective of providing customers with a first class experience when dealing with STI (Europe).



WE PROTECT THE THINGS THAT PROTECT YOU

CONTENTS



p4

Protective Covers

To protect call points, electrical switches, control panels, thermostats and keypads from vandalism, misuse or accidental damage.

Stopper	p4
Call Point Stopper	p5
Enviro Stopper NEW!	p6
Weather Stopper	p7
Weather Stopper II	p8
Stopper II	p9
Hinged Protective Covers	p10
Thermostat Protectors	p11
Keypad & Equipment Protectors	p12
Polycarbonate Enclosures & Covers	p13
Biometric Protectors	p15
Keyboxes	p16

Fire & Security Products

Alarm devices to protect freestanding, housed extinguishers and fire doors from vandalism or misuse.

Extinguisher Stopper	p17
Mini Theft Stopper	p18
Exit Stopper	p19

Electrical Switches & Call Points

Re-settable call points and a versatile range of electrical switches including waterproof, key switches, latching and momentary switches.

ReSet Call Point	p20
Waterproof ReSet Call Point	p21
StopperSwitches (SS3000 Series)	p22
How To Order StopperSwitches	p23
Alert Point - Stand alone alarm system	p24



p17



p19



p20



p22

DETAILS ON HOW TO ORDER AND STI'S DELIVERY TERMS, PLEASE REFER TO THE INSIDE BACK COVER

HAS THE STOPPER CUT FALSE ALARMS?

We had an intermittent problem with pupils activating the break glass call points in our automatic fire systems. Each alarm led to attendance by the local fire brigade but also led to considerable inconvenience, as all of the buildings in the school complex had to be evacuated every time an alarm was given. Since Derbyshire County Council Technical Services Department installed the Stoppers, not a single false fire alarm has been recorded.

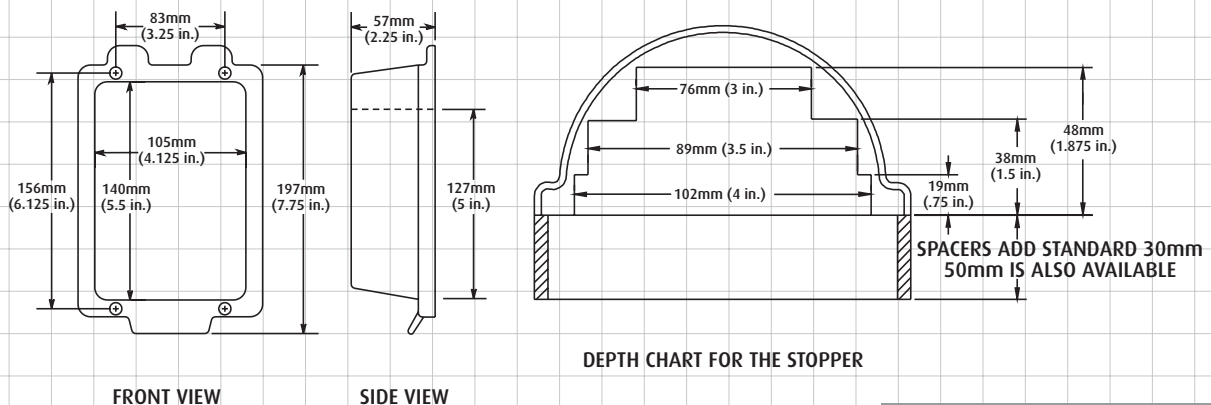
Sue Kettle – Buxton Community School



FEATURES

- Constructed from tough clear polycarbonate
- Protects equipment from accidental operation, vandalism, product misuse, dust and weather
- Available with or without integral sounder. Integral sounder powered by a 9V PP3 battery (included)
- Optional 12 or 24 VDC powered units
- Available for flush or surface mounted products
- Lock or break seal options for added security
- Optional depth spacers to accommodate a wider variety of products
- Cover backed by a 3-year guarantee against breakage in normal use (one year on electromechanical and electronic components)
- Polycarbonate tested -40°F (-40°C) to 120°F (49°C)
- Easy to install, can retrofit over existing device

▼ Stopper dimensions and technical information (STI 6530, STI 6531, STI 6532 & STI 6533)



(SAMPLE SUBJECT TO AVAILABILITY)

STI STOPPER

Protective cover to help stop malicious or accidental false fire alarms. This unique device has helped stop false fire alarms around the world for decades, without restricting legitimate operation of devices such as fire alarm break glass call points. Ideal for schools, colleges, hospitals, nursing homes, hotels and all public buildings where there is a history or a threat of false fire alarms.

HOW IT WORKS

The Stopper consists of a clear, tamperproof, tough polycarbonate cover and frame that retrofits over the break glass call point. When lifted to gain access to the break glass, its optional battery powered integral sounder emits a piercing 95dB (at 1 metre). Immediate attention is drawn to the area and a prankster will either run or be caught.

MODELS AVAILABLE

- STI 6530** Stopper flush mounted without integral sounder
- STI 6531** Stopper surface mounted without integral sounder (includes 30mm spacer)
- STI 6532** Stopper flush mounted with integral sounder
- STI 6533** Stopper surface mounted with integral sounder (includes 30mm spacer)

ACCESSORIES

- STI 6503** 30mm spacer (supplied with STI 6531 & STI 6533)
- STI 6504** 50mm spacer
- STI C024** Backplate (for irregular surfaces)
- STI/BS** Breakable seals (pack of 10)
- E009** Deactivation pin

OPTIONS

COLOURS AVAILABLE For Green, Blue or Yellow add /G/B or /Y

ADDITIONAL SECURITY For break seal add /BS. For lock add /L

EXAMPLE STI 6533/G/BS = Green Stopper, surface mounted with sounder and break seal facility
STI 6530/BS = Red Stopper, flush mounted without sounder but with break seal facility

NB: The Stopper is supplied in red and with the operating instructions IN CASE OF FIRE – LIFT COVER BREAK GLASS
Alternative and custom markings are available

Do you need to protect an external call point or switch from the elements? See our Weather Stopper on page 7. For IP protection, see our Enviro Stopper on page 6.

CALL POINT STOPPER®



STI 6930

FEATURES

- Constructed from tough clear polycarbonate
- Easy to install, can retrofit over an existing device
- Spring loaded hinge mechanism
- Available for flush or surface mounted products
- Protects equipment from accidental operation, vandalism and misuse
- Can protect a wide range of industry standard call points and switches
- Cover is backed by a 3-year guarantee against breakage in normal use
- Polycarbonate tested -40°F (-40°C) to 120°F (49°C)

STI CALL POINT STOPPER

Protective cover to prevent malicious or accidental damage to electrical switches and call points.

The Call Point Stopper is an aesthetic inexpensive cover which provides a secure fit to a wide range of electrical switches and call points. The cover prevents misuse to the device without restricting legitimate operation. It is ideal for shopping centres, hotels, schools, colleges, hospitals, nursing homes and all public buildings where there is a risk of malicious or accidental activation.

HOW IT WORKS

The Call Point Stopper consists of a clear tough polycarbonate hinged cover that retrofits securely over the device. Simply lift the cover to gain access to the device.

Once the cover is released the spring loaded hinge returns the cover to its original position.

MODELS AVAILABLE

- STI 6930** Call Point Stopper flush mounted
STI 6931 Call Point Stopper surface mounted (includes 35mm spacer)

ACCESSORIES

- STI 6903** 35mm spacer (supplied with STI 6931)

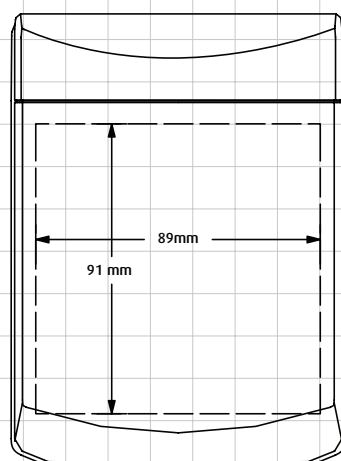
OPTIONS

COLOURS AVAILABLE For Green or Yellow add /G or /Y

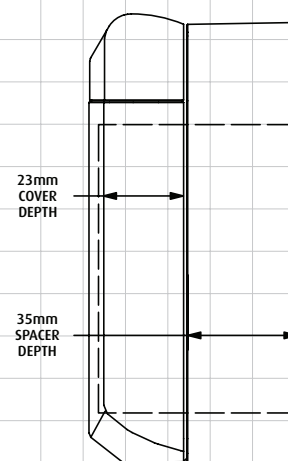
EXAMPLE STI 6931/G = Green Call Point Stopper, surface mounted

NB: The Call Point Stopper is supplied in red and with the operating instructions IN CASE OF FIRE – LIFT COVER BREAK GLASS
 Alternative and custom markings are available

▼ Call Point Stopper dimensions and technical information (STI 6930 & STI 6931)



FRONT VIEW



SIDE VIEW

TO PLACE AN ORDER CALL +44 (0) 1527 520 999 OR FAX ON +44 (0) 1527 501 999

ENVIRO STOPPER®



IDEAL FOR
INDOOR/
OUTDOOR
USE



FEATURES

- Protects devices against dust and water ingress housed in harsh environmental areas
- Ideal for wash down areas and saline atmospheres
- Constructed from tough clear polycarbonate
- Cover, back box and sealed mounting plate achieves IP66 (back box) and IP56 (cover) rating
- 20mm threaded entry points available
- Available with or without integral sounder
- Integral sounder powered by a 9V PP3 battery (included)
- Break seal facility option for added security
- Available in red, green, yellow, blue, white and black
- Polycarbonate tested -40°C to 121°C (-40°F to 250°F)

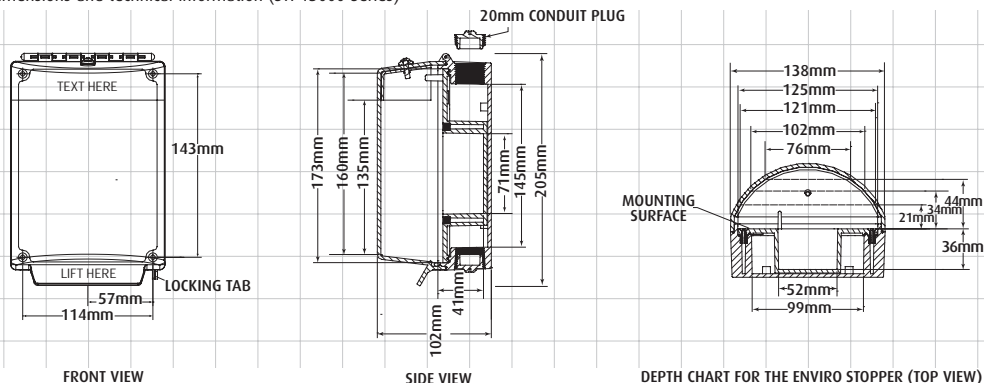
STI ENVIRO STOPPER

A protective cover that is ideal for extending the life and reliability of devices exposed to harsh environments. The Enviro Stopper offers protection to manual call points and switches against dust and water ingress both outside and inside, as well as preventing tampering, vandalism and damage from accidental or malicious operation.

HOW IT WORKS

Easy to install, the Enviro Stopper consists of a clear, tamperproof, tough polycarbonate cover and back box that can accommodate a standard European call point or switch. When the cover is closed, the unit is sealed and achieves a rating of IP66/56 preventing dust, grime and water getting to the device.

▼ Enviro Stopper dimensions and technical information (STI 13000 Series)



BUILD YOUR MODEL

STI-1

Cover Options

- 3 = Dome Cover
- 4 = Low Profile Cover*

*Only available with Hood/Sounder option "0"

Mounting Options

- 6 = European Enclosed Backbox & Sealed Mounting Plate
- 7 = European Enclosed Backbox & Open Mounting Plate

Hood/Sounder

- 0 = No Label Hood
- 1 = Label Hood without Sounder
- 2 = With Sounder
- 3 = With Sounder & Remote contact & power**

**All colours except NC

Special Electronics

- 0 = None

Hood/Sounder Colour & Label

Fire label

FR = Red - Fire label

Emergency Exit label

EG = Emergency Exit label

No label

- NK = Black
- NB = Blue
- NC = Clear
- NG = Green
- NR = Red
- NW = White
- NY = Yellow

Free Custom label*

CK = Black*

CB = Blue*

CG = Green*

CR = Red*

CW = White*

CY = Yellow*

*must provide custom label wording (20 characters, 2 lines maximum)

Accessories

Part Number	Description	Enclosed Backbox
CKS001	Sounder Unit	X
CKS013	Wiring harness for remote power	X
STI/BS	Break Seals (Qty. 10)	X
E009	Deactivation pin	X

APPROVAL

TESTING

- ADA Compliant
- Cover option '3' only has been tested and approved or listed by:
- UL/cUL Listed No. S2466 (Type rating pending)

Backbox, open Mounting Plate

- IP Rating 56

Backbox, sealed Mounting Plate

- IP Rating 66

WARRANTY

Three year guarantee against breakage of polycarbonate in normal use (one year on electromechanical and electronic components).



FEATURES

- Strong, durable cover to take even the severest of knocks
- Protects equipment against damage, dust and grime as well as water ingress
- Supplied with a variety of cable entry gaskets
- Ideal in saline atmospheres
- Optional depth spacers to accommodate a wider variety of products
- Available for flush or surface mounted products
- Available in red, yellow, green and blue
- Cover backed by a 3-year guarantee against breakage in normal use
- Polycarbonate tested -40°F (-40°C) to 120°F (49°C)

STI WEATHER STOPPER

Weatherproof cover to protect call points and other devices against the ingress of dust or water.

The Weather Stopper is a protective cover that is ideal for extending the life and reliability of weather exposed devices, such as manual call points. It offers protection against harsh environments and conditions both outside and inside, as well as preventing tampering, vandalism and damage from accidental or malicious operation.

HOW IT WORKS

Easy to install, the Weather Stopper consists of a clear, tamperproof, tough polycarbonate cover, frame and weather gasket that fits over the manual call point. The weather gasket seals the unit, preventing dust, grime and water from getting to the device. In the event of an emergency, simply lift the cover to gain access to the protected device.

MODELS AVAILABLE

- STI 6534** Weather Stopper flush mounted (includes weather gasket set)
- STI 6535** Weather Stopper surface mounted (includes 30mm spacer & weather gasket set)

ACCESSORIES

- STI 6503** 30mm spacer (supplied with the STI 6535)
- STI 6504** 50mm spacer
- STI C024** Backplate (for irregular surfaces)
- STI 6501** Weather gasket set (supplied with STI 6534 & STI 6535)

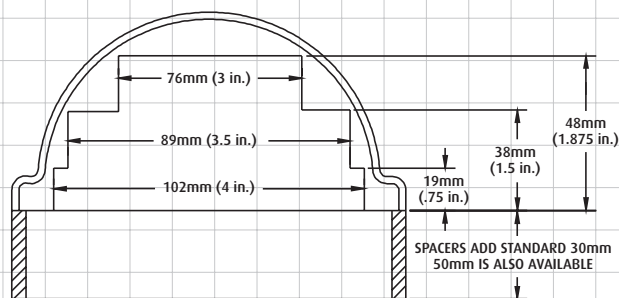
OPTIONS

COLOURS AVAILABLE For Green, Blue or Yellow add /G/B or /Y

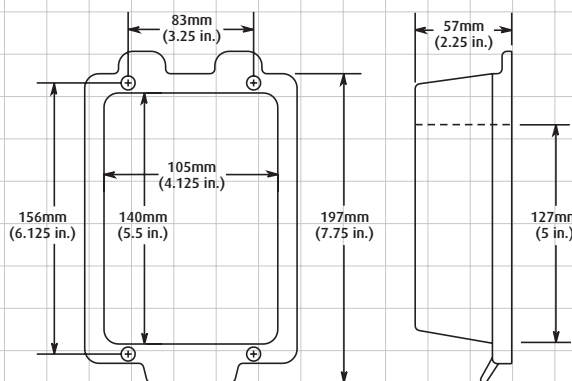
EXAMPLE STI 6535/G = Green Weather Stopper, surface mounted
STI 6534/B = Blue Weather Stopper, flush mounted

NB: The Weather Stopper is supplied in red and with the operating instructions IN CASE OF FIRE - LIFT COVER BREAK GLASS
Alternative and custom markings are available

▼ Weather Stopper dimensions and technical information (STI 6534 & STI 6535)



DEPTH CHART FOR THE WEATHER STOPPER



FRONT VIEW

SIDE VIEW

Is the external call point too large for this cover?
Try the Weather Stopper II on page 8

WEATHER STOPPER II®



FEATURES

- Constructed from tough clear polycarbonate
- Strong, durable cover to take even the severest of knocks
- Ideal for saline atmospheres
- Fits a variety of industry standard devices
- Available for flush or surface mounted products
- Supplied with a variety of cable entry gaskets
- Protects equipment against damage from dust and grime as well as water ingress
- Available in a variety of colours
- Cover backed by a 3-year guarantee against breakage in normal use
- Polycarbonate tested -40°F (-40°C) to 120°F (49°C)

STI WEATHER STOPPER II

Large weatherproof cover to protect devices such as external call points.

Physically larger than the Weather Stopper, the Weather Stopper II is a tough, clear polycarbonate cover designed to protect manual call points and other devices where protection from the environment is necessary, such as car parks, food processing factories and swimming pools. It is also ideal for saline atmospheres. It is available for flush or surface mounted devices with a variety of cable entry gaskets.

HOW IT WORKS

The Weather Stopper II consists of a clear polycarbonate cover, frame and gaskets that retrofit over the device to be protected. The gaskets seal the unit preventing dust, grime and water from getting to the device. In the event of an emergency, simply lift the cover to gain access to the protected device.

MODELS AVAILABLE

- STI 1250** Weather Stopper II flush mounted (includes weather gasket set)
- STI 3150** Weather Stopper II surface mounted (includes 50mm spacer & weather gasket set)

ACCESSORIES

- STI 3100** 50mm spacer (supplied with STI 3150)
- STI 1280** Backplate (for irregular surfaces)
- STI 3002** Weather gasket set (supplied with STI 1250 & STI 3150)

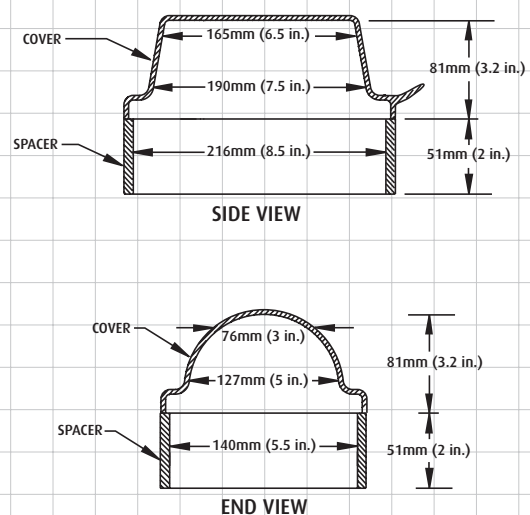
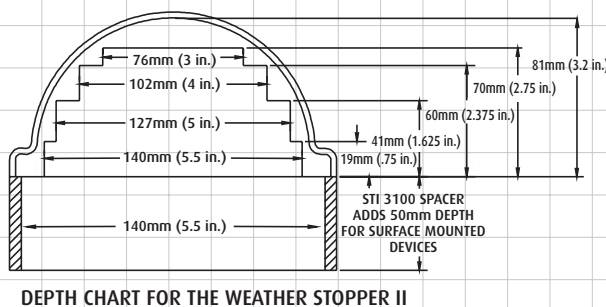
OPTIONS

COLOURS AVAILABLE For Green, Blue or Yellow add /G /B or /Y

EXAMPLE STI 3150/G = Green Weather Stopper II surface mounted
STI 1250 = Red Weather Stopper II flush mounted

NB: The Weather Stopper II is supplied in red and with the operating instructions
IN CASE OF FIRE – LIFT COVER BREAK GLASS
Alternative and custom markings are available

▼ Weather Stopper II dimensions and technical information (STI 1250 & STI 3150)



STOPPER II®



HAS THE STOPPER II PREVENTED ACCIDENTAL ACTIVATION?

The treatment centre was having a large number of instances where a patient or visitor was pressing the emergency call bell when attempting to locate the light switch in the visitor's toilets. This was causing the emergency team to be alerted and go into action unnecessarily. This would occur once or twice a week. Since we have installed the Stopper II covers, the instances have stopped.

Barry Coates – Maintenance Engineer

Ramsay Horton Treatment Centre – Horton Hospital Banbury



FEATURES

- Constructed from tough clear polycarbonate
- Available in red, blue, green and yellow
- Available with a choice of gaskets to protect equipment against damage from dust and grime as well as water ingress
- Break seal option for added security
- Available with or without integral sounder. Integral sounder powered by a 9V PP3 battery (included)
- Available for flush or surface mounted products
- Optional 12 or 24 VDC powered units
- Cover backed by a 3-year guarantee against breakage in normal use (one year on electromechanical and electronic components)
- Polycarbonate tested -40°F (-40°C) to 120°F (49°C)

▼ Stopper II dimensions and technical information (STI 1200, STI 1230, STI 1100 & STI 1130)

STI STOPPER II

Larger cover to help stop malicious or accidental false fire alarms.

Physically larger than the Stopper, the Stopper II is a unique device which has helped stop false fire alarms around the world for more than 30 years, without restricting legitimate operation of devices such as fire alarm break glass call points. It is ideal for schools, colleges, hospitals, nursing homes, hotels and public buildings of almost every kind where there is a history or a threat of false alarms.

HOW IT WORKS

The Stopper II consists of a clear, tamperproof, tough polycarbonate cover and frame that fits over the break glass call point. When lifted to gain access to the call point, its optional battery powered integral sounder emits a piercing 95/97 dB (at 1 metre). Immediate attention is drawn to the area and a prankster will either run or be caught.

MODELS AVAILABLE

- STI 1200** Stopper II flush mounted without integral sounder
- STI 1230** Stopper II surface mounted without integral sounder (includes 50mm spacer)
- STI 1100** Stopper II flush mounted with integral sounder
- STI 1130** Stopper II surface mounted with integral sounder (includes 50mm spacer)

ACCESSORIES

- STI 3100** 50mm spacer (supplied with STI 1130 and STI 1230)
- STI 1280** Backplate (for irregular surfaces)
- STI/BS** Breakable seals (pack of 10)

OPTIONS

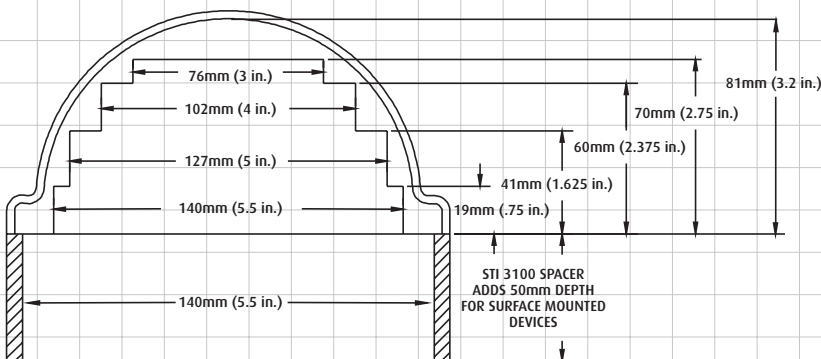
COLOURS AVAILABLE For Green, Blue or Yellow add /G /B or /Y

ADDITIONAL SECURITY

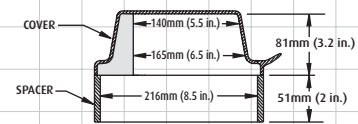
For break seal add/BS

EXAMPLE STI 1130/Y/BS = Yellow Stopper II, surface mounted with sounder and break seal facility
STI 1200 = Red Stopper II, flush mounted without sounder

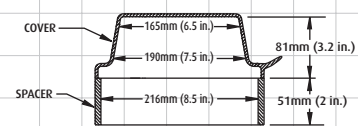
NB: The Stopper II is supplied in red and with the operating instructions IN CASE OF FIRE – LIFT COVER BREAK GLASS
Alternative and custom markings are available



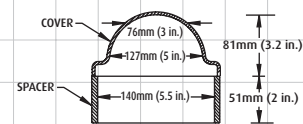
DEPTH CHART FOR THE STOPPER II



SIDE VIEW
MODEL WITH SOUNDER



SIDE VIEW
MODEL WITHOUT SOUNDER



END VIEW

NEED SALES OR TECHNICAL SUPPORT? CALL +44 (0) 1527 520 999

HINGED PROTECTIVE COVERS

UL US
ADA
Compliant
on selected models



STI 6516

STI 6518

STI 6830

FEATURES

- Moulded from tough, clear polycarbonate material
- Stainless steel torsion spring maintains the cover in a closed position
- Protects against vandalism and accidental damage
- Cover backed by a 3-year guarantee against breakage in normal use
- Polycarbonate tested -40°F (-40°C) to 120°F (49°C)
- Fast, easy installation, comes complete with fixings and gasket

STI HINGED PROTECTIVE COVERS

Inexpensive and highly durable, this range of small-hinged covers can take hard knocks in their stride.

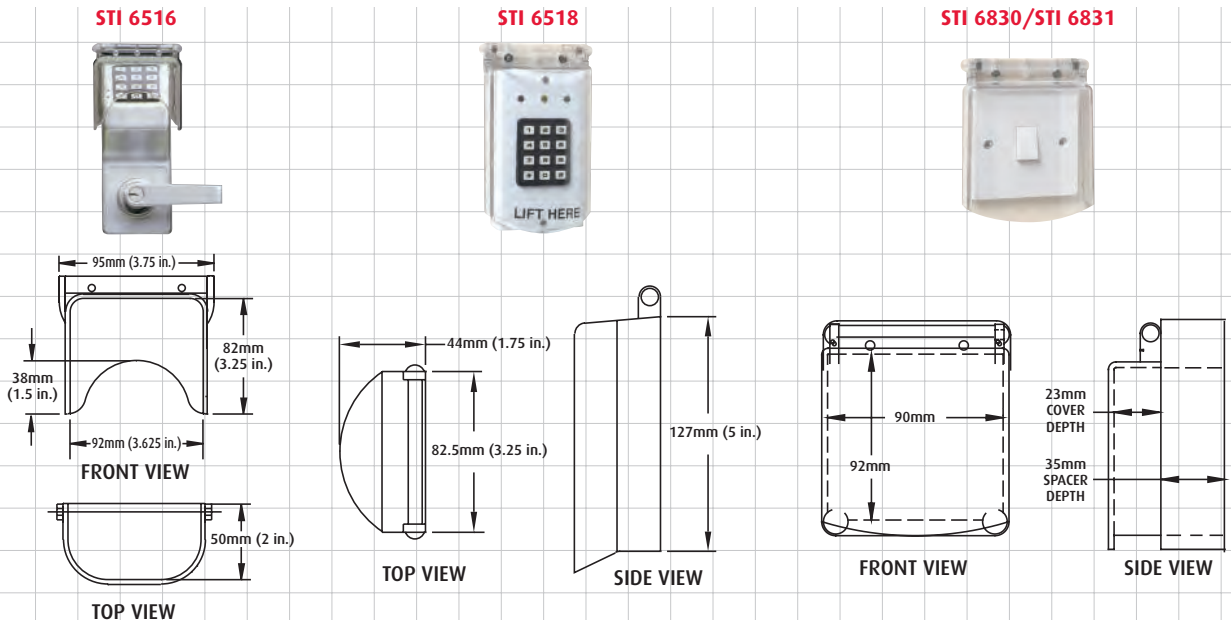
The Bopper Stopper protects electrical outlets, digital keypads and push buttons. The Mini Bopper Stopper protects keyless door lock units, whilst the versatile Mini Stopper can protect electrical sockets as well as call points and other devices.

Moulded from tough polycarbonate material, these covers feature a stainless steel torsion spring to keep the cover closed. All come complete with installation fixings and gaskets.

MODELS AVAILABLE

- STI 6516** Mini Bopper Stopper flush mounted
- STI 6518** Bopper Stopper flush mounted
- STI 6830** Mini Stopper flush mounted
- STI 6831** Mini Stopper surface mounted (includes 35mm spacer)

▼ Hinged Protective Covers dimensions and technical information (STI 6516, STI 6518, STI 6830 & STI 6831)



TO PLACE AN ORDER CALL +44 (0) 1527 520 999 OR FAX ON +44 (0) 1527 501 999

THERMOSTAT PROTECTORS

HAS THE THERMOSTAT PROTECTOR DETERRED TINKERING?

As an installation and maintenance company looking after clients air conditioning, we have installed many of your Thermostat Covers over new and existing controllers. This has allowed for the cooling/heating mode and the temperature set point to be preset and locked away, so that only authorised personnel and our maintenance staff have access. This results in a better controlled environment but allows staff to see the operating set points for the systems. These covers help reduce nuisance calls when staff have inadvertently set the operating mode incorrectly.

Les Sweeting – Airtech UK Ltd



STI THERMOSTAT PROTECTORS

To help stop vandalism, damage and tampering to thermostats, energy sensors and controllers.

Injection moulded using clear, heavy-duty polycarbonate material, these protective covers are recommended for areas where abuse or tampering of thermostats is a problem. Holes in the frame allow air to circulate freely for proper operation of the protected device, but an interior wall prevents objects from entering inside.

All units have a key lock which prevents unauthorised entry. Especially useful where thermostats are located in public areas, the covers are easy to install for either flush or surface mount applications.

MODELS AVAILABLE

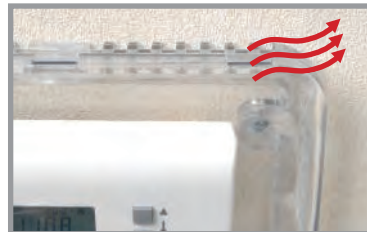
- STI 9102** Small Thermostat Protector, flush mounted with frangible lock
- STI 9105** Medium Thermostat Protector, flush mounted with key lock
- STI 9105-S** Medium Thermostat Protector, flush mounted with key lock (smoke finish)
- STI 9110** Large Thermostat Protector, flush mounted with key lock
- STI 9115** Circular Thermostat Protector, flush mounted

ACCESSORIES

- STI 6503** 30mm spacer (for the STI 9105)
- STI 6504** 50mm spacer (for the STI 9105)
- STI 3100** 50mm spacer (for the STI 9110)

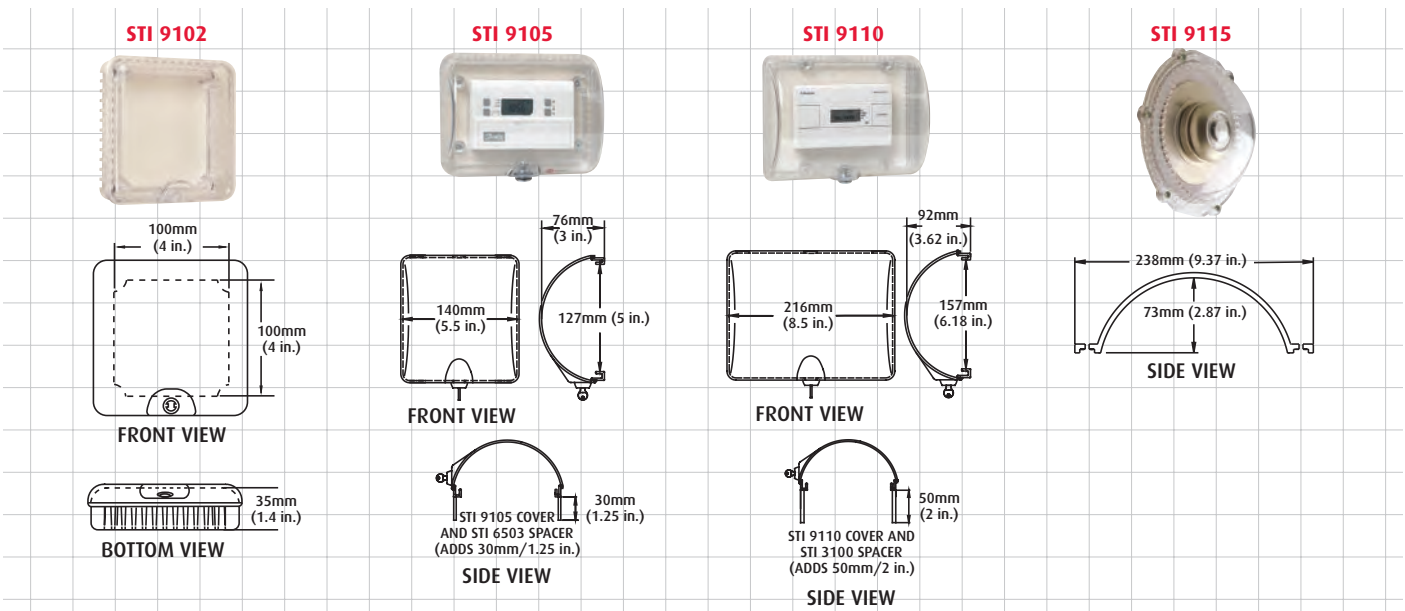
FEATURES

- Offers protection against tampering, abuse and accidental damage without affecting operation of thermostats
- Holes in the frame allow air to circulate freely
- Fast and easy installation. Comes complete with a full fixing kit
- Available for flush or surface mounted products
- Inner wall construction prevents tampering with dials and levers
- Polycarbonate tested -40°F (-40°C) to 120°F (49°C)



Holes in the frame allow air to circulate freely as illustrated here.

▼ Thermostat Protectors dimensions and technical information (STI 9102, STI 9105, STI 9110 & STI 9115)



VISIT WWW.STI-EUROPE.COM FOR ALL LATEST PRODUCT NEWS

KEYPAD & EQUIPMENT PROTECTORS



FEATURES

- Protection against physical damage, dust, grime and severe environments
- Constructed from tough, clear polycarbonate material
- Dramatically extend the life of essential equipment
- Fast, easy installation
- Covers come complete with a fixing kit and gaskets (gasket is optional with the STI 6550)
- Polycarbonate tested -40°F (-40°C) to 120°F (49°C)
- Covers backed by a 3-year guarantee against breakage in normal use

STI KEYPAD PROTECTOR

This tough clear polycarbonate cover helps to extend the life and reliability of digital keypads, access controls and security panels by protecting them from accidental or intentional damage and tampering.

STI EQUIPMENT PROTECTORS

Formed from tough clear polycarbonate and stainless steel materials, these large covers help to protect a wide range of control panels and other equipment from vandalism, accidental damage or tampering. The horizontal cover can protect fire and security control panels and exterior fire system annunciators. The vertical cover can protect access control modules and card readers.

All of the covers come complete with installation fixings and gaskets, (gasket is optional with the STI 6550). The gaskets help to protect the device from dirt, dust and grime. For additional security the covers can be supplied with a lock.

MODELS AVAILABLE

- STI 6550** Keypad protector
- STI 6550-S** Keypad protector (smoke finish)
- STI 6560** Keypad protector with key lock
- STI 6560-S** Keypad protector with key lock (smoke finish)
- STI 6561** Keypad protector with thumb lock

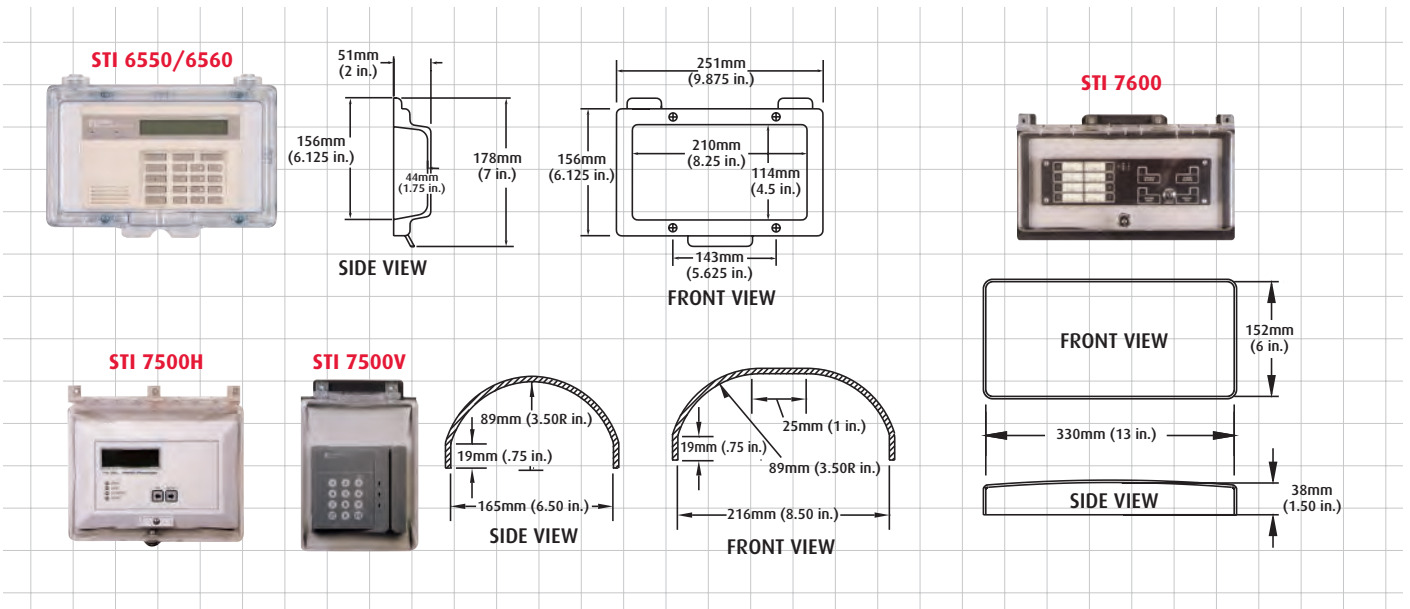
ACCESSORIES

- STI 6552** Weather gasket set
- STI 6582** Backplate (for irregular surfaces)
- STI C071** Spare Key (for STI 6560)

MODELS AVAILABLE

- | | |
|---|---|
| STI 7500H Horizontal cover with key lock | STI 7501V Vertical cover with thumb lock |
| STI 7500V Vertical cover with key lock | STI 7600 Control panel cover with key lock |
| STI 7501H Horizontal cover with thumb lock | STI 7601 Control panel cover with thumb lock |

▼ Keypad and Equipment Protector dimensions and technical information (STI 6550, STI 6560, STI 7500, STI 7501 & STI 7600)



REQUEST A CATALOGUE CALL +44 (0) 1527 520 999

POLYCARBONATE ENCLOSURES

TYPE 4X  
Compliant on selected models

HAS THE DEFIBRILLATOR ENCLOSURE PREVENTED MISUSE?

We purchased STI 7535 AED wall cabinets to protect Public Access Defibrillators located in Warsaw Airport. What we liked about the product is the quality and smart design. The strobe/alarm facility activates the moment the cabinet is opened drawing immediate attention. This helps prevent accidental and unwanted usage of such an important and possibly dangerous device as a defibrillator.

Rafal Brzyski – Director of Operations
Paramedica Polska Sp. z o.o.



FEATURES

- Clear tough polycarbonate enclosure
- Includes thumb lock or key lock
- Additional eyelet allows use of a secondary safety seal or padlock
- Extra large enclosure (STI-7550) is fitted with two rotary action latches with additional eyelets
- External mounting tabs
- Complete with mounting accessories and gasket
- Tamperproof mounting screws available
- Optional security alarm or sounder/strobe device deters unauthorised access
- Supplied with coated steel internal mounting backplate as standard
- Optional adjustable wire shelf (STI 7530/7531)
- Polycarbonate tested -40°F (-40°C) to 120°F (49°C)
- Cover backed by a 3-year guarantee against breakage in normal use (one year on electromechanical and electronic components)

▼ Polycarbonate Enclosures dimensions and technical information (STI 7520/7521, STI 7530/7531 & STI 7550/7551)

STI POLYCARBONATE ENCLOSURES

A range of multipurpose transparent polycarbonate enclosures has been designed for the protection of fire and security control panels and other electronic equipment. Combining a tough rugged construction with stylish design, the range offers excellent protection for a wide range of different equipment. The enclosures offer protection from vandalism, accidental damage and the environment whilst ensuring all-round visibility and immediate access.

External mounting tabs allow the enclosures to be easily installed on to any wall surface, providing protection without the need to change the location of the equipment. Complete mounting accessories and tamperproof screws are provided.

For additional security and to deter misuse or theft, the enclosures can be fitted with a security alarm or sounder/strobe device.

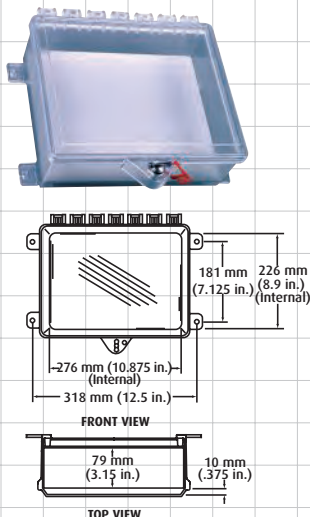
MODELS AVAILABLE

- STI 7520** Weatherproof clear polycarbonate enclosure with key lock
- STI 7521** Weatherproof clear polycarbonate enclosure with thumb lock
- STI 7522** As STI 7520 but with audible security device
- STI 7523** As STI 7521 but with audible security device
- STI 7530** Clear polycarbonate enclosure with key lock
- STI 7531** Clear polycarbonate enclosure with thumb lock
- STI 7532** As STI 7530 but with audible security device
- STI 7533** As STI 7531 but with audible security device
- STI 7533AED** As STI 7531 but with wire shelf and audible security device
- STI 7535AED** As STI 7531 but with wire shelf and sounder/strobe device
- STI 7550** Extra large polycarbonate enclosure with key lock
- STI 7551** Extra large polycarbonate enclosure with thumb lock
- STI 7552** As STI 7550 but with audible security device
- STI 7553** As STI 7551 but with audible security device

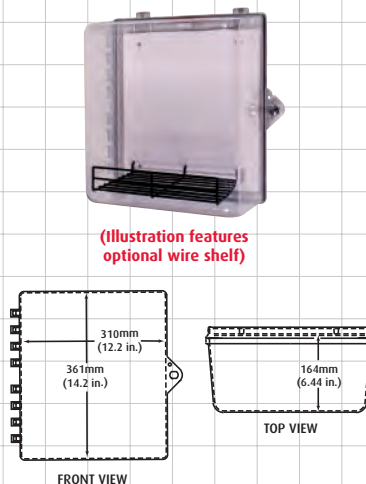
ACCESSORIES

- STI 7530WR** Wire shelf for STI 7530/31/32/33 (Already included with the STI 7533AED & STI 7535AED)

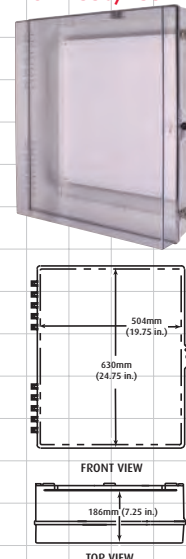
STI 7520/7521



STI 7530/7531



STI 7550/7551



NEED SALES OR TECHNICAL SUPPORT? CALL +44 (0)1527 520 999

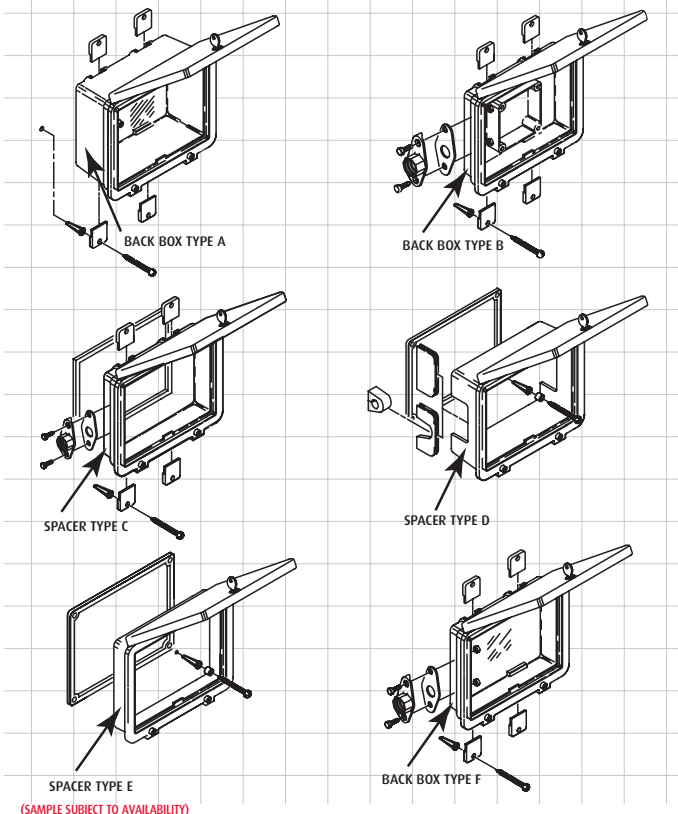
POLYCARBONATE ENCLOSURES & COVERS



FEATURES

- Constructed from tough clear polycarbonate
- Includes thumb lock or key lock
- Enclosures protect against damage, dust, grime and severe environments
- Retrofit covers protect against damage and vandalism
- Suitable for flush or surface applications
- 94V-2 flammability rating
- Complete with mounting accessories and gasket
- Cover backed by a 3-year guarantee against breakage in normal use (one year on electromechanical and electronic components)

▼ Polycarbonate Enclosures & Covers dimensions and technical information (STI 7500 Series)



(SAMPLE SUBJECT TO AVAILABILITY)

POLYCARBONATE ENCLOSURES & COVERS

Multipurpose lockable polycarbonate enclosures and covers are designed to protect a wide range of equipment such as keypads, annunciators and smaller control panels from vandalism or accidental damage. They also protect equipment from the elements such as dirt, dust and grime.

For additional security the enclosures and covers are available with a key or thumb lock facility.

MODELS AVAILABLE

- STI 7500** Clear polycarbonate enclosure/cover with key lock facility
- STI 7501** Clear polycarbonate enclosure/cover with thumb lock facility
- STI 7510** Clear polycarbonate enclosure/cover with exterior key lock facility
- STI 7511** Clear polycarbonate enclosure/cover with exterior thumb lock facility

CHOOSE A BACK BOX OR SPACER

The product needs to be accompanied by a choice of back box or spacer. See options listed below

BACK BOX & SPACER DESCRIPTION

- A** = Enclosed deep back box
- B** = Enclosed shallow back box and double-gang electrical box
- C** = Open spacer for flush mount applications
- D** = Open conduit spacer for surface mount applications
- E** = Open spacer for flush mount applications
- F** = Enclosed shallow back box

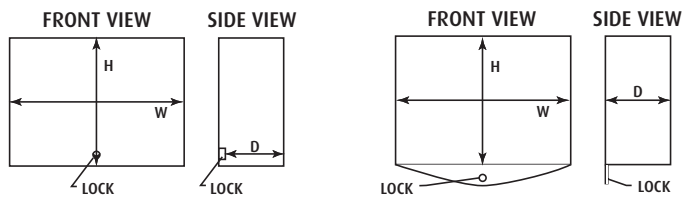
BACK BOX/SPACER AVAILABLE

For back box or spacer type A, B, C, D, E or F add /A, /B, /C, /D, /E or /F after the STI product code

EXAMPLE

STI 7500/A = Enclosure with key lock and back box type A

STI 7501/D = Cover with thumb lock and spacer type D



STI 7500/7501

STI 7510/7511

Spacer/Back Box	STI 7500/7501 Internal Dimensions
A	165 h x 211 w x 86mm d
B	140 h x 216 w x 14mm d
C	133 h x 198 w x 45mm d
D	144 h x 196 w x 70mm d
E	145 h x 195 w x 25mm d
F	143 h x 211 w x 40mm d

Spacer/Back Box	STI 7510/7511 Internal Dimensions
A	165 h x 211 w x 116mm d
B	140 h x 216 w x 44mm d
C	133 h x 198 w x 75mm d
D	144 h x 196 w x 100mm d
E	145 h x 195 w x 56mm d
F	143 h x 211 w x 70mm d

BIOMETRIC PROTECTORS



BIO 7504

STI BIOMETRIC PROTECTORS

Covers to protect a wide range of products including card readers against vandalism and damage.

These tough covers have been designed to protect card readers, access control keypads and similar devices from abuse, accidental damage as well as from the external elements. All covers are moulded from tough polycarbonate material that is UV-stabilised against discolouration. STI offers a 3-year guarantee against breakage of polycarbonate covers in normal use. They are easy to install and come complete with fixing kits and gaskets.

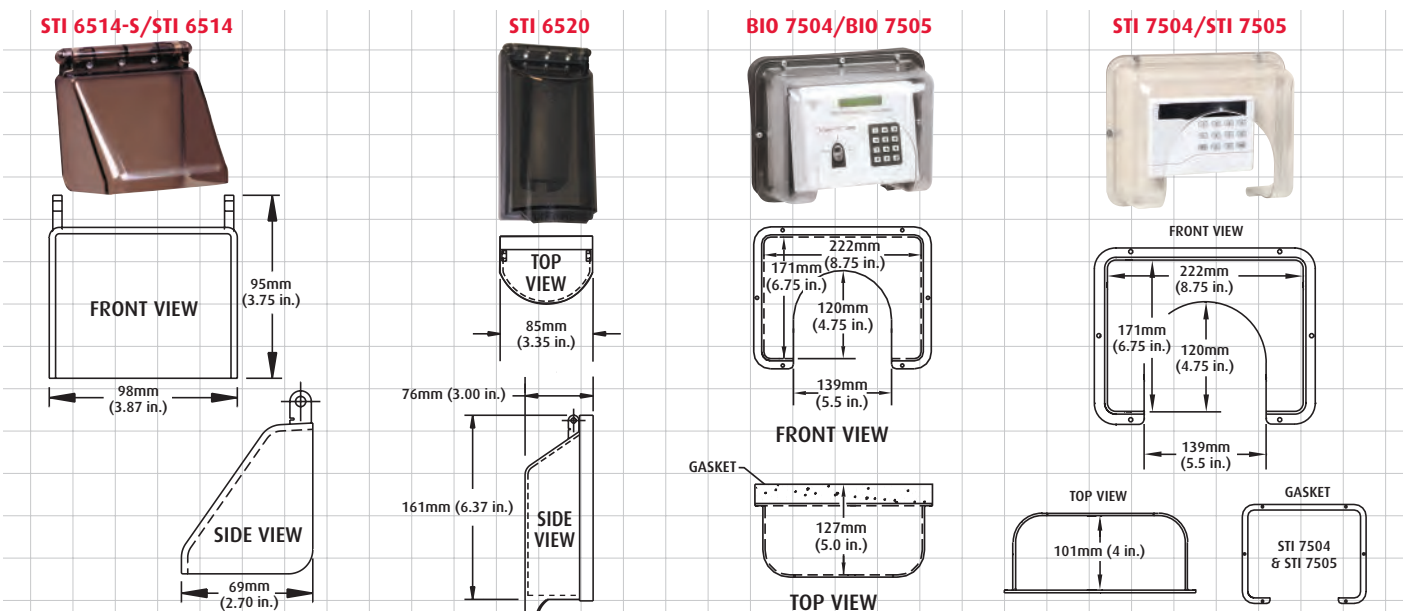
MODELS AVAILABLE

- STI 6514** Card reader polycarbonate cover (clear finish)
- STI 6514-S** Card reader polycarbonate cover (smoke finish)
- STI 6520** Card reader polycarbonate cover (smoke finish)
- BIO 7504** Card reader/recorder polycarbonate cover (clear finish)
- BIO 7505** Card reader/recorder polycarbonate cover (smoke finish)
- STI 7504** Keypad polycarbonate cover (clear finish)
- STI 7505** Keypad polycarbonate cover (smoke finish)

FEATURES

- Moulded from tough polycarbonate material
- Protects a wide range of equipment
- Covers backed by a 3-year guarantee against breakage in normal use
- STI 6514 and BIO 7504 are open for easy access
- STI 6520 shuts tight on the frame for a sealed cover
- Polycarbonate tested -40°F (-40°C) to 120°F (49°C)
- Comes complete with gaskets and installation kit

▼ Biometric Protector dimensions and technical information (STI 6514, STI 6514-S, STI 6520, BIO 7504, BIO 7505, STI 7504 & STI 7505)



VISIT WWW.STI-EUROPE.COM FOR ALL LATEST PRODUCT NEWS

KEYBOXES



FEATURES

- Excellent and an inexpensive way to protect emergency keys and documents from theft or wrongful use
- Keys remain visible as well as available in case of an emergency
- Fast and easy to install and supplied with fixings
- Inexpensive replacement glass available
- 3-year guarantee against breakage of the polycarbonate housing
- Aesthetically appealing

STI KEYBOXES

Protects emergency keys and documents, while keeping them accessible in the event of an emergency.

What do you do when the keys to your fire alarm system, exit doors and so forth must be available in an emergency, but you don't want to just hang them on a nail? The answer is the STI Keybox. Available in three sizes, the keyboxes allow the keys to remain visible and available in the event of an emergency.

The glass provides an effective deterrent against theft. The keyboxes are inexpensive and easy to install, and are supplied with fixing kits. Inexpensive replacement glass is also available.

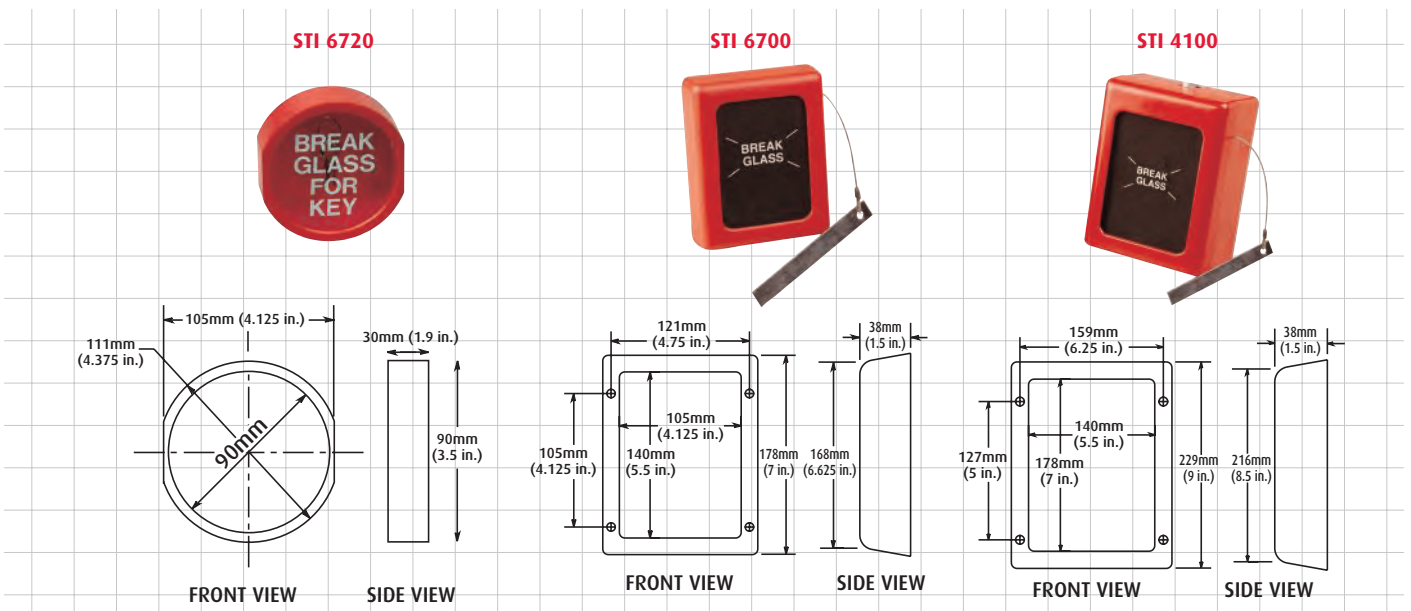
MODELS AVAILABLE

- STI 6720** Small keybox
- STI 6700** Medium keybox
- STI 4100** Large keybox

ACCESSORIES

- STI 6725** Replacement plexi glass (suitable for STI 6720)
- STI 6701** Replacement glass (suitable for STI 6700)
- STI C051** Replacement glass (suitable for STI 4100)
- STI 6721/B** Glass breaker

▼ Keyboxes dimensions and technical information (STI 6720, STI 6700 & STI 4100)



REQUEST A CATALOGUE CALL +44 (0) 1527 520 999

EXTINGUISHER STOPPER®



STI EXTINGUISHER STOPPER

Stop theft, vandalism or misuse of fire extinguishers.

If you are fed up with replacing or recharging your fire extinguisher, this sturdy, tamperproof, self-contained device is the answer. It has proven highly effective in helping stop theft, misuse or vandalism of fire extinguishers.

Extinguisher Stopper will leave the extinguisher totally accessible for emergencies and will not interfere in the event of a real fire.

HOW IT WORKS

Its highly visible 'stop sign' design discourages wrongful use. If the protected fire extinguisher is moved from its normal position, an integral sounder emits a piercing alarm. The device is easy to install and a deactivation cable is supplied for ease of servicing the extinguisher.

The Extinguisher Stopper is supplied complete with an operating cable kit and a 9V PP3 alkaline battery.

MODELS AVAILABLE

STI 6200 Extinguisher Stopper
(includes operating cable kit)

ACCESSORIES

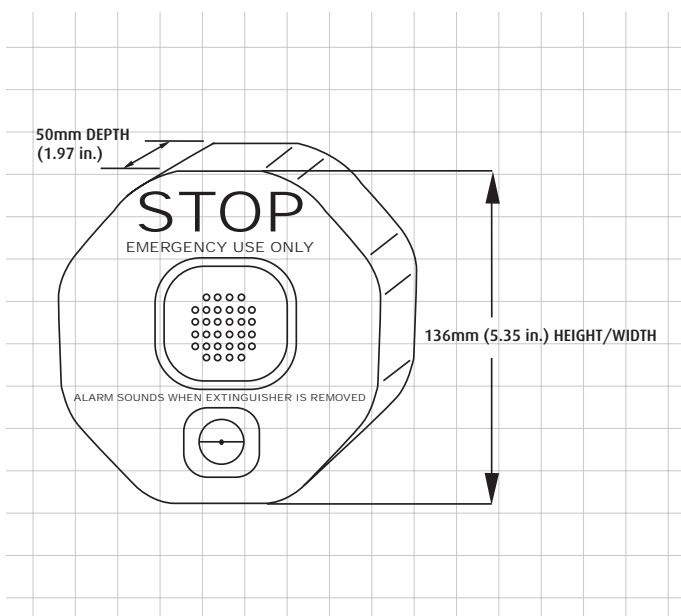
STI 6204 Service/deactivation cable
STI 6205 Operating cable kit
(includes operating cable and seal)
STI 6206 Seal
STI F021 Tamper key

NB: The STI 6200 comes complete with everything needed for a single extinguisher installation

FEATURES

- Highly visible 'stop sign' design discourages wrongful use of extinguisher
- Sounds a powerful 105dB (at 1 metre) warning alarm when activated (95dB low volume setting if desired)
- Self-contained 9 VDC alkaline power source is provided
- 3-year guarantee against breakage of polycarbonate housing (one year on electronic components)
- Virtually indestructible polycarbonate housing
- Deactivation cable is provided for service by authorised personnel
- Remote powered 12 or 24 VDC model available
- Compact design (136mm/5.35" diameter and 50mm/1.97" deep) mounts easily next to the extinguisher
- For fire extinguishers housed in cabinets, refer to the STI 6255 Mini Theft Stopper (p18)

▼ Extinguisher Stopper dimensions and technical information (STI 6200)



Specifications	
Housing	3mm/1/8" polycarbonate
Dimensions	136mm/5.35" h x 136mm/5.35" w x 50mm/1.97" d
Power Source	9 VDC Alkaline
Sounder Output (at 1 metre)	95dB - low/105dB - high
Operating Cable	3mm/1/8" galvanised steel
Standby Current	None
Alarm Current	40 mA at 95dB 150 mA at 105dB

*12 VDC and 24 VDC models are available

HAS THE EXTINGUISHER STOPPER PREVENTED THEFT?

We have been very satisfied with STI's products in particular the Extinguisher Stopper, which has reduced the loss of equipment to a satisfying zero on our site at The Luton and Dunstable Hospital. By nature the equipment is sited adjacent to doorways and regrettably some of our visitors felt that it was free and available to them to take the extinguishers away. Having fitted the Extinguisher Stoppers we no longer have equipment being stolen over holidays, weekends and nights. Anybody wanting to protect extinguishers will certainly find value for money by using the Extinguisher Stopper.

**Alan Patmore Fire & Safety Officer –
The Luton and Dunstable Hospital**

Looking to protect extinguishers in cabinets or on stands?
See our Mini Theft Stopper on page 18

REQUEST A CATALOGUE CALL +44 (0) 1527 520 999

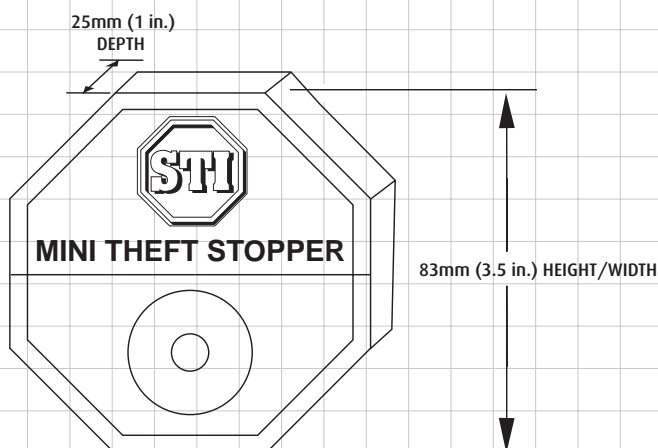
MINI THEFT STOPPER®



FEATURES

- Highly visible 'stop sign' design discourages wrongful use of extinguisher
- Sounds a powerful 95 dB (at 1 metre) warning alarm when activated drawing immediate attention
- Self-contained 9 VDC alkaline power source is provided
- Two methods of operation – magnetic reed switch activation for cabinets and display cases and unique steel contact clip activation for fire extinguisher pins and other free-standing equipment
- Extremely cost effective and easy to install
- Deactivation pin provided for service by authorised personnel
- Three minute automatic reset upon activation
- Compact design (83mm/3.25" diameter and 25mm/1" deep) mounts easily next to the extinguisher
- Does not interfere with use of protected fire fighting equipment
- Tough, ABS construction

▼ Mini Theft Stopper dimensions and technical information (STI 6255)



STI MINI THEFT STOPPER

Protects free-standing and cabinet mounted fire extinguisher and other equipment.

The Mini Theft Stopper is an inexpensive yet highly effective way to protect fire extinguishers and a wide range of other fire fighting equipment from theft or misuse. The device is compact, highly effective and extremely versatile. It does not interfere with fire fighting in any way and it's simplicity of design contributes to its high degree of reliability.

HOW IT WORKS

FOR FREE-STANDING EXTINGUISHER OR EQUIPMENT

The Mini Theft Stopper comes with a special clip that can be used in several ways. An extinguisher's pull pin may be routed through the holes in both prongs of the clip. The clip is then held in place by the extinguisher's seal and when the seal is broken to use the extinguisher, the alarm sounds. The steel clip can also be placed under any type of equipment. When lifted, the alarm sounds immediately.

FOR CABINETS HOUSING FIRE EXTINGUISHER, FIRE HOSES OR SPRINKLER SHUT OFF VALVES.

The Mini Theft Stopper is mounted next to the door or in the cabinet and its reed switch unit is mounted in the door jam. The matching magnet is mounted on the door in close proximity. When the door is opened the device emits a 95 dB (at 1 metre) warning alarm.

MODELS AVAILABLE

STI 6255 Mini Theft Stopper

STI 6255/M2 Double Point Mini Theft Stopper (protects 2 extinguishers using 2 spring clips)

ACCESSORIES

E009 Deactivation pin

Specifications

Housing	3mm/1/8" ABS
Dimensions	83mm/3.5" h x 83mm/3.5" w x 25mm/1" d
Sounder Output (at 1 metre)	95 dB
Operation	Steel Contact Clip Switch Magnetic Reed Switch
Standby Current	None
Alarm Current	115 mA
Auto Reset	3 Minutes

SUPPLIED WITH TWO TYPES OF ACTIVATION



Steel Contact Clip Switch Activation



Magnetic Reed Switch Activation

HAS THE EXIT STOPPER DETERRED UNAUTHORISED EXITS?

The residents at the home were continuously leaving the emergency exit doors open, which became a safety and security risk to the residents and staff. After sourcing advice on how to tackle the problem, the local fire officer recommended the Exit Stopper.

Since they were installed, it has proved very successful deterring the residents from misusing the Emergency Exits. It has also given the staff piece of mind especially during the night shift.

Mrs Power – The Island Residential Home

EXIT STOPPER®

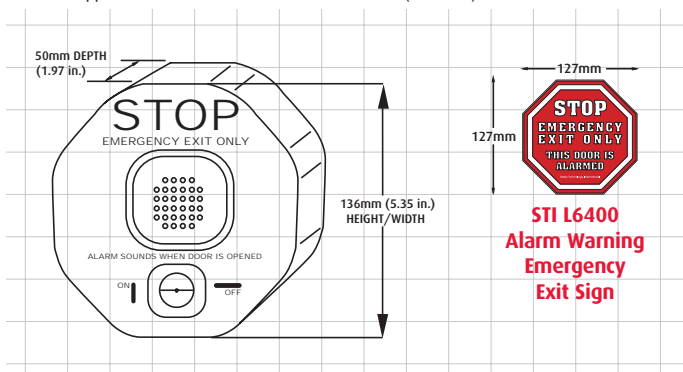


FEATURES

- Completely self-contained electronic door alarm
- Highly visible 'stop sign' discourages unauthorised use of emergency doors
- Fitted with a 9V PP3 alkaline battery (included)
- Key operated override facility
- 32 user programmable features
- Highly versatile can be mounted or installed on almost any type of door, including remote placement of sounder
- Available in red or green
- 40 milliamp 9 VDC trigger output
- Incorporates a 12/24 VDC connection
- Can be installed and protecting doors in minutes
- Cover backed by a 3-year guarantee against breakage in normal use (one year on electromechanical and electronic components)
- Virtually indestructible polycarbonate housing
- Remote powered 12 or 24 VDC model available for special applications
- Compact design (136mm/5.35" diameter and 50mm/1.97" deep)



▼ Exit Stopper dimensions and technical information (STI 6400)



(SAMPLE SUBJECT TO AVAILABILITY)

STI EXIT STOPPER

Stop unauthorised exits and entries through emergency exit doors. The Exit Stopper is a unique and highly effective way to alert you to any unauthorised exits or entries through any emergency exit door. It can also serve as an inexpensive security device and help prevent theft.

HOW IT WORKS

If the protected door is opened, the electronic Exit Stopper emits an ear piercing alarm. When the door is closed, a number of reset options are available including an automatic function. A variety of alarm duration and setup features are available. See feature chart below. A key operated override facility will silence the alarm and allow authorised exits. The Exit Stopper is fitted with a 9V PP3 alkaline battery. It is available in red or green and can be mounted or installed on almost any type of door, including remote placement of the sounder.

MODELS AVAILABLE

- STI 6400** Exit Stopper – red
- STI 6402** Exit Stopper – red, suitable for a double door installation

ACCESSORIES

- STI 6400/RK** Remote installation kit (includes 2.4m wire, connecting blocks & fixings)
- STI 6400/RS** Remote 95/97dB sounder
- STI C023/A** Spare key
- STI L6400** Alarm warning emergency exit sign

OPTIONS

COLOURS AVAILABLE For Green, add /G

EXAMPLE STI 6400/G = Exit Stopper in green

User Programmable Feature	JP2	JP3	JP4	JP5	JP7
High Volume* (105dB)	ON				
Low Volume (95dB)	OFF				
Immediate Arming*					ON
15 Second Arming Delay					OFF
Immediate Activation*				OFF	
15 Second Activation Delay				ON	
30 Second Alarm Duration*		OFF	OFF		
180 Second Alarm Duration		OFF	ON		
Continuous Alarm Duration		ON	OFF		
Door Prop Mode (5 beeps)		ON	ON		

* Factory Settings

Specifications

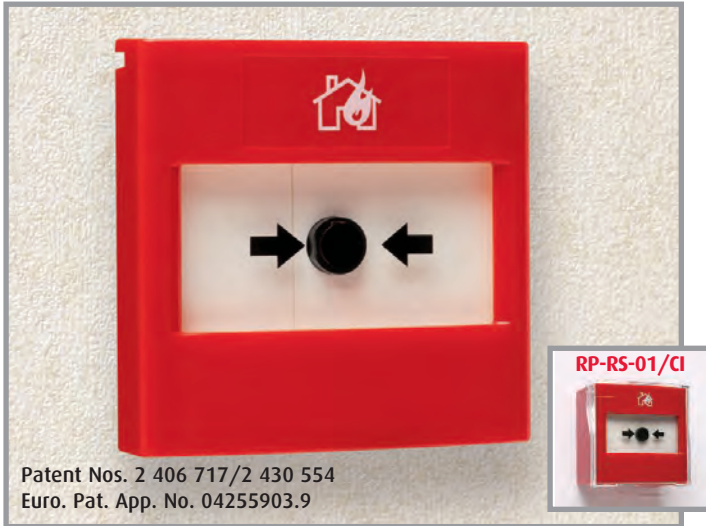
Housing	3 mm/1/8" polycarbonate
Power Source	9 VDC Alkaline
Sounder Output (at 1 metre)	95dB - low/105dB - high
Relay Output	9 VDC, 40mA
Dimensions	136mm/5.35" w x 136mm/5.35" h x 50mm/1.97" d
Standby Current	10uA
Alarm Current	200mA

RESET CALL POINT

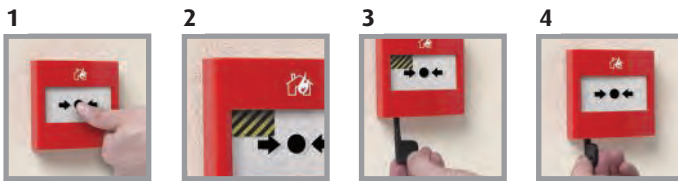


We found the STI ReSet call point very easy to install & very reliable. The option of different resistance and dead short terminals, allows our engineers to install these call points to all standard non addressable systems. Our customers find the call points to be very easy to use; we have also noticed that the sites that have these call points no longer call for help due to test keys jammed or glasses dislodged or broken etc.

Derek Fay – Alarm Manager
Churches Fire Security Ltd



Patent Nos. 2 406 717/2 430 554
Euro. Pat. App. No. 04255903.9

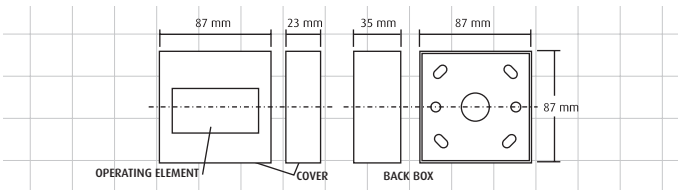


- 1) Positive action – mimics the feel of breaking glass
- 2) A warning indicator drops in to view when the call point is activated
- 3) To reset a simple key is inserted in to the bottom of the call point
- 4) A quick turn of the key and the call point is reset and ready for use again straight away

FEATURES

- EN54-11 approved (Cert No. 653a/01)
- IP67 Waterproof and addressable models available
- Glass appearance maintains operator deterrence
- Positive activation that mimics the feel of breaking glass
- Visible warning flag confirms activation
- Simple key to reset operating element – no broken glass
- No glass elements to break, lose or incorrectly fit during installation
- Complete functional test with every activation
- Extremely attractive, high value look and feel
- Low profile, heavy-duty terminations – two built-in resistor values
- Available in five colours

▼ ReSet dimensions and technical information



HOW TO ORDER

All ReSet call point numbers begin with RP and contain 4 other characters EG: RP-RS-01/CI = ReSet Point, Red Surface Mounted, Series 01 with optional integral cover

RP	R	S
Prefix	Denotes colour options R = Red Y = Yellow G = Green B = Blue W = White	Denotes mounting options S = Surface Mounting (wall plate & backbox) S1 = Surface Mounting (combined wall plate & backbox) F = Flush Mounting

STI RESET CALL POINT

The 'ReSet' is a unique manual call point that mimics the feel of breaking glass whilst offering the user the benefits and environmental advantages of a re-settable operating element.

The 'ReSet' uses a simple yet ingenious patented mechanism which consists of a rigid plastic operating element and an over centre spring mechanism. This arrangement provides real action on operation and simulates break glass activation.

An activation indicator drops into view at the top of the window after the 'ReSet' has been operated. The unit is then simply reset with a key and is ready for re-use straight away.

APPLICATIONS

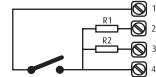
The 'ReSet' call point is compatible with most conventional fire alarm systems. It is safe for use in areas where glass cannot be used, e.g. food processing plants and swimming/leisure centres.

As the unit can be simply reset it provides an ideal solution for areas that suffer from a high number of false activations such as schools, shopping centres and other public places.

ELECTRICAL ARRANGEMENT

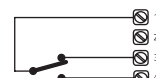
Switch arrangements shown with ReSet in standby.

Series 01



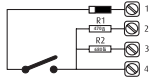
Series 01 denotes a ReSet call point that will interface with most conventional fire alarm systems. It is fitted with two internal resistors 470 (R1) and 680 (R2) ohms. These are easily accessed through the installer terminals as illustrated.

Series 02



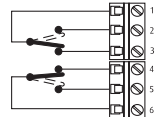
Series 02 denotes a ReSet call point that is fitted with a single pole changeover switch both the normally open and normally closed contacts are easily accessed through the installer terminals as illustrated.

Series 05



Series 05 denotes a ReSet call point that will interface with most Sav-wire (2 wire) conventional fire alarm systems. It is fitted with two resistor 470 and 680 ohms (other resistors available upon request) and a diode. These are easily accessed through the installer terminals as illustrated.

Series 11



Series 11 denotes a ReSet call point that incorporates two independent single pole changeover switches providing double pole changeover contacts. Easily accessed through the installer terminals as illustrated.

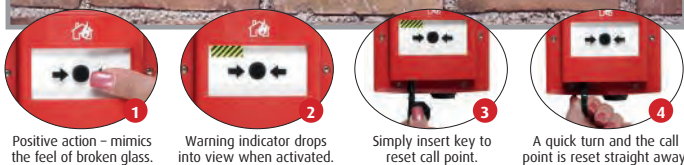
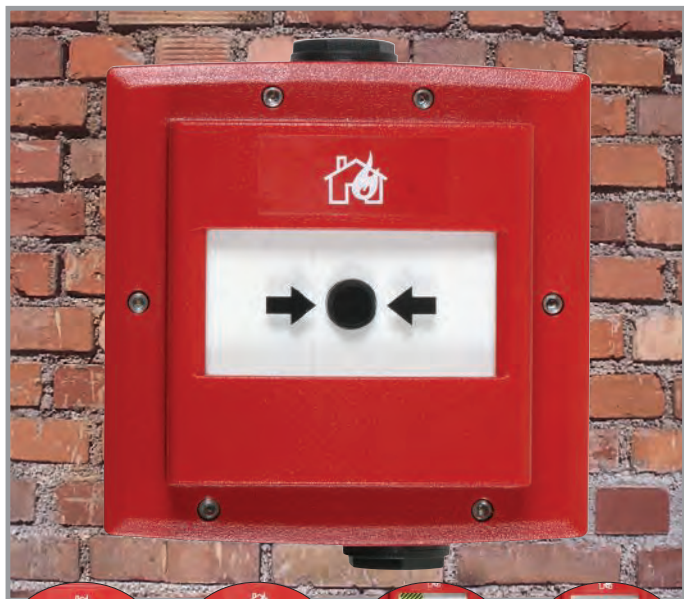
ADDRESSABLE SOLUTION 'INTELLIGENT PACKAGE'

The ReSet (indoor) and Waterproof ReSet (outdoor) call points now have the ability to accommodate a variety of addressable packages.



Technical Specifications	
Current Rating (All Series)	3 Amps 12 – 24V DC
Current Rating (Series 02 & 11)	3 Amps 125 – 250V AC
Housing and Mounting Box Material	Polycarbonate
Electrical Contact Material	Silver plated brass
Operating Temperature	-20°C to +65°C
Installation Terminal Conductor Size	0.5mm – 2.5mm
Colours	Red, Yellow, Green, Blue & White
Mounting	Flush or surface with back box

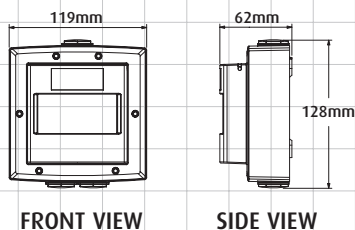
WATERPROOF RESET CALL POINT



FEATURES

- Waterproof tested to IP67 and EN54-11 approved
- Glass appearance maintains operator deterrence
- Positive activation that mimics the feel of breaking glass
- Visible warning flag confirms activation
- Simple key to reset operating element - no broken glass
- No glass elements to break, lose or incorrectly fit during installation
- Complete functional test with every activation
- Extremely attractive, high value look and feel
- Low profile, heavy-duty terminations - two built-in resistor values
- Available in red, green, yellow or blue

Waterproof Reset dimensions and technical information



HOW TO ORDER

All Waterproof ReSet call point numbers begin with WRP and contain 3 other characters

E.G. WRP-R-01/CI = Waterproof ReSet Point, Red, Series 01 with optional integral cover

WRP

Prefix

R

Denotes colour options
R = Red
Y = Yellow
G = Green
B = Blue

01

Denotes series and electrical arrangement
01 = Conventional fire model includes two resistor values 470 & 680 ohms
11 = Double pole changeover

CI

Denotes optional cover
CN = No Cover
CI = Integral Cover
CSII = Stopper II
CSSII = Stopper II with sounder
CWII = Weather Stopper II

ACCESSORIES

STI F068 Allen Key
STI RP-K WRP Test Key
STI F069 Earth Strap
STI C084 'O' Ring
STI M227 20mm Threaded Insert
STI M228 Waterproof Washer

STI WATERPROOF RESET CALL POINT

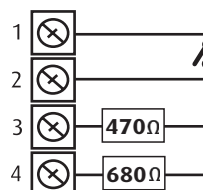
The IP67 Waterproof ReSet has been designed to deal with today's difficult and harsh environments. Like the ReSet call point, it is a unique fire alarm manual call point that mimics the feel of breaking glass whilst offering the user the benefits and safety advantages of a glass-free resettable operating element. Once activated a warning flag drops in to view easily identifying the call point that has been operated. A key can then reset the unit.

APPLICATIONS

The Waterproof ReSet (WRP) provides an ideal solution for most conventional fire alarm systems. Ideal for all outside applications such as oil rigs, ships, factory's as well as wash down areas that are sensitive to broken glass.

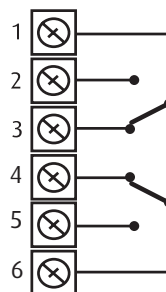
ELECTRICAL ARRANGEMENT

Series 01



Waterproof Series 01 denotes a WRP call point that will interface with most conventional fire alarm systems. It is fitted with two resistors 470 and 680 ohms. These are easily accessed through the installer terminals as illustrated.

Series 11



Waterproof Series 11 denotes a WRP call point that incorporates two independent single pole changeover switches providing double pole changeover contacts. Easily accessed through the installer terminals as illustrated.

NB: Switch arrangements shown with WRP in standby

Technical Specifications

Current Ratings (Series 01 & 11)	3 Amps 12 - 24V DC
Current Ratings (Series 11)	3 Amps 125 - 250V AC
Housing and Mounting Box Material	Polycarbonate
Electrical Contact Material	Silver plated brass
Operating Temperature	-20°C to +65°C
Installation Terminal Conductor Size	0.5mm to 2.5mm
Colours	Red, Yellow, Green and Blue
Mounting	Surface with back box

REQUEST A CATALOGUE CALL +44 (0) 1527 520 999

STOPPERSWITCHES



STI STOPPERSWITCHES

A highly versatile range of attractive switches combining unique design, quality and value, with or without a protective cover or pre-alarm.

These aesthetically appealing, low/high voltage switches fit any standard UK-type switch socket box. Quick and easy to install, there are three types available.

- **StopperPush** models are for applications where a momentary push-and-release activation is desired.
- **StopperKey** models are for applications where casual activation is discouraged. The switch can only be activated with a key.
- **StopperLatch** is ideal for applications where repeat activation must be controlled. Once the switch has been manually activated, it can only be reset by inserting a special key.

All models are available in any of five colours with space for corporate branding, function marking and operating instructions. A number of standard models are available for quick delivery but enquiries for custom models are welcomed.

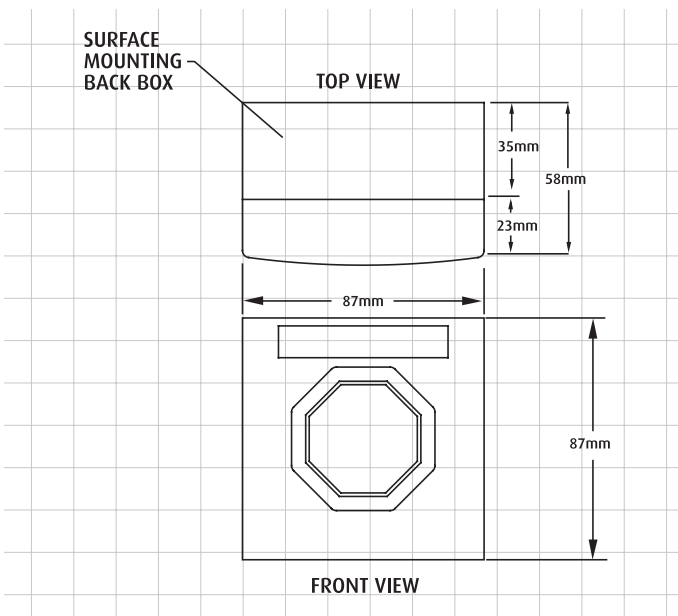
Protect your StopperSwitch against damage, accidental operation or malicious activation.

In many cases, it is advisable to protect your StopperSwitch either indoors or outdoors with an STI Stopper. The protective cover consists of a tough polycarbonate material and is available with or without an integral sounder. The cover adds an extra measure of protection against damage or accidental activation. This is especially useful where emergency systems are involved and accidental activation could cause serious delays in production or other operations. Where the risk of malicious activation is a concern, the cover with an optional integral sounder can be highly beneficial. When the cover is lifted, the device emits a piercing 95dB alarm (at 1 metre) and the prankster will either run or be caught. In weather exposed areas or harsh environmental conditions it is strongly recommended to protect the StopperSwitch with the STI Weather Stopper or Enviro Stopper.

FEATURES

- Unique inset design on the push buttons help to stop accidental activation
- Highly versatile with a wide variety of switching options
- Wide range of operating voltages up to 250 volts AC 6 amps
- Available in any of five colours: red, yellow, green, blue and white
- Quick and easy installation for almost any application
- Injection moulded in a tough, durable PC/ABS material
- All models fit any standard UK-type switch socket box. A surface mounting back box is also available
- A choice of protective covers are available with or without an integral sounder

▼ StopperSwitch dimensions and technical information (SS3000 Series)



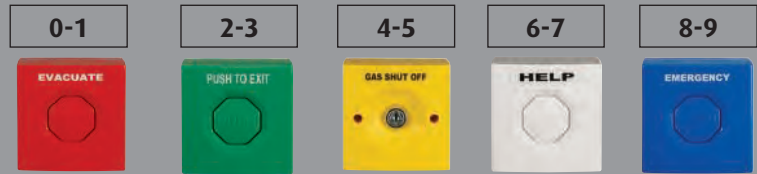
Key Switch Models	
Proof Voltage	>750V DC
Current Carrying Capacity (non switching)	5A
Contact Rating (Switching Resistive Load)	5A 115V AC 3A 50V DC
Insulation Resistance	>999MΩ
Initial Contact Resistance	<20mΩ
Minimum Operating Life	10,000 cycles
Contact Material	Silver Plated Brass
Terminal Material	Plated Brass
Housing & Back Box Material	PC/ABS
Terminal Conductor Size	0.5mm - 2.5mm
Operating Temperature	-20°C to +65°C

Push Button Models	
Current Carrying Capacity (non switching)	6 A 12-24V DC 6 A 125-250V AC
Insulation Resistance	>1250V
Electrical Contact Material	Silver Plated Brass
Housing & Back Box Material	Polycarbonate
Terminal Conductor Size	0.5mm - 2.5mm
Operating Temperature	-20°C to +65°C
Mounting	Flush or Surface with Back Box

HOW TO ORDER STOPPERSWITCHES

STEP 1 - Choose a housing colour and mounting arrangement

0	Red (Flush)
1	Red with Back Box (Surface)
2	Green (Flush)
3	Green with Back Box (Surface)
4	Yellow (Flush)
5	Yellow with Back Box (Surface)
6	White (Flush)
7	White with Back Box (Surface)
8	Blue (Flush)
9	Blue with Back Box (Surface)



STEP 2 - Choose a cover

0	No Cover
1	StopperSwitch with a Protective Cover
2	StopperSwitch with a Protective Cover and Integral Sounder
3	StopperSwitch with a Protective Weather Cover
4	StopperSwitch with a Mini Protective Cover
5	StopperSwitch with a Call Point Cover
6	StopperSwitch with Integral Cover (push button only)



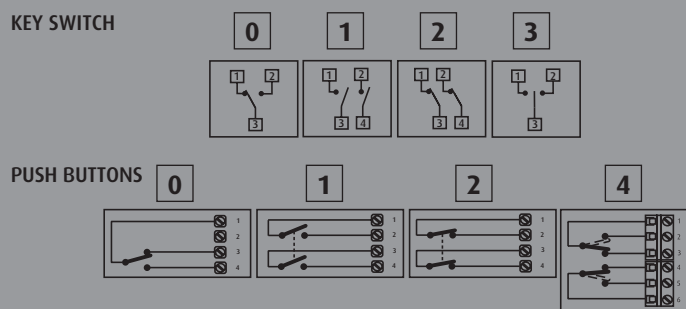
STEP 3 - Choose a switch type

0	Push Button Key To Reset
1	Push Button Momentary
2	2 Position Key Switch Single Pole
3	2 Position Key Switch - Key Trapped in 'on' Position
4	2 Position Key Switch Double Pole
5	3 Position Key Switch
6	Push Button Pneumatic



STEP 4 - Choose electrical arrangement

0	Single Pole Changeover
1	Double Pole Normally Open
2	Double Pole Normally Closed
3	3 Position Key Switch Arrangement
4	Double Pole Changeover (push button only)



STEP 5 - Choose a standard or custom function marking

A	Panic Alarm
B	Emergency
C	In Case Of Emergency
D	Emergency Exit
E	Exit
F	Power Off
G	Emergency Power Off
H	Shut Down
Custom Marking	
X	Please specify marking required maximum 20 characters including spaces.

If custom marking is required, please print in the boxes below.

--	--	--	--	--	--	--	--	--	--	--	--	--	--	--	--	--	--	--	--	--

Your StopperSwitch Part Number:		STEP 1	STEP 2	STEP 3	STEP 4	STEP 5
Part Number	SS3					

ALERT POINT®

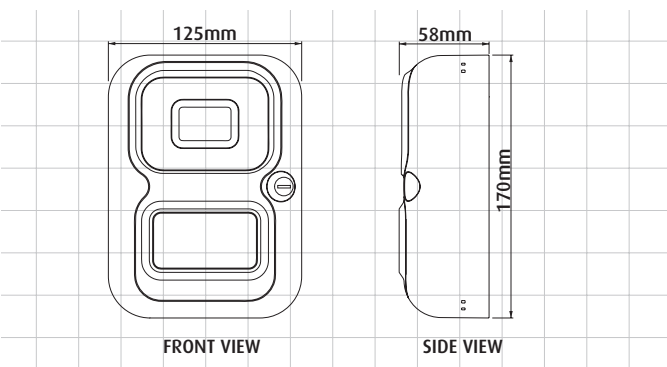


**BEACON
UPGRADE
NOW
AVAILABLE**

FEATURES and BENEFITS

- Stand alone, self-contained alarm system. No wiring involved, simple 4 screw installation, protecting personnel and property within minutes
- Battery powered (incorporates 12/24V dc facility), 9V PP3 battery supplied
- Robust polycarbonate housing, can take the severest of knocks
- Integral resettable call point, simple key to reset, no broken glass or parts to replace
- Visible warning flag & flashing LED, for quick activation identification
- Variety of sounder tone, output and duration options. Select a tone that personnel can quickly identify with
- 102 dB integral sounder (at 1m), draws immediate attention
- System healthy, fault and alarm LED indication, to ensure the Alert Point is fully operational.
- Low battery warning, provides an 15 month stand-by life
- Can be linked to sounders, strobes, call points & detectors, providing an extra level of protection
- Can be interconnected and monitored, creates a network of protection
- Available in a choice of colours, to accommodate a variety of applications
- Standard or custom marking, that best fits your requirements
- Now available with optional beacon upgrade

Alert Point & Alert Point:Lite dimensions and technical information



STI ALERT POINT

The Alert Point is an aesthetically pleasing, robust and fully featured stand alone alarm system. Powered with a 9v PP3 alkaline battery, the Alert Point includes an integral sounder and resettable call point.

Manufactured from tough polycarbonate, the Alert Point is designed for use in industrial, commercial and retail applications as well as portacabins, construction sites, car parks, churches and holiday parks. It also incorporates a tamper switch to prevent unauthorised removal or misuse.

Available in a variety of colours, the Alert Point can be used for a wide variety of applications such as Fire, Intruder, Panic, Evacuation, Assist or General alarm.

HOW IT WORKS

Once activated the Alert Point will emit a 102 dB alarm (at 1m), an activation flag drops in to view and the built in LED facility flashes red. Any external connected devices will be activated. The Alert Point can be easily reset with a special key, ensuring that the unit is quickly operational again. An override facility can silence the alarm until the Alert Point can be reset.

PROTECTING YOUR PREMISES AND PERSONNEL

The Alert Points can be interconnected and have the ability to monitor each other to create a network of protection.

A 12/24 V dc external power connection is incorporated in the Alert Point to support external devices such as sounders and strobes.

With an easy, 4 screw, wire-free installation, this truly versatile product is the ideal solution for establishments that have a requirement for a simple, but effective alarm system.

ALERT POINT:LITE

The newest model to the Alert Point range, the Alert Point:Lite, shares many of the features of the Alert Point with some exceptions. Details on the product features can be found overleaf. The Alert Point:Lite is an integral self-contained sounder and resettable call point that is an ideal solution for establishments that require a simple, cost-effective means of raising an alarm in the event of an emergency.

HOW TO ORDER

All Alert Point part numbers begin with AP and contain 4 other characters E.G. AP-1-R-A/CN = Alert Point, red with House/Flame Logo and no cover.

AP	1	R	A	/	CN
Prefix	Denotes Series option 1 = Alert Point 2 = Alert Point:Lite 3 = Alert Point w/beacon 4 = Alert Point:Lite w/beacon	Denotes colour option R = Red G = Green B = Blue W = White	Denotes function marking option A = House/Flame logo B = Fire C = Intruder D = Panic E = Evacuation F = Assist G = General Alarm H = Alert I = Emergency Exit R = Running Man logo X = CUSTOM MARKING	Denotes optional cover CN = No Cover CS2 = Stopper II CW2 = Weather Stopper II	

Your Alert Point Part Number:	Series Required	Colour	Function Marking	Cover Required
Part Number	AP			

CUSTOM MARKING

If custom marking is required, print in boxes below:-

--	--	--	--

Maximum 20 characters (includes spaces)

EXAMPLE:- Your custom marking will appear here



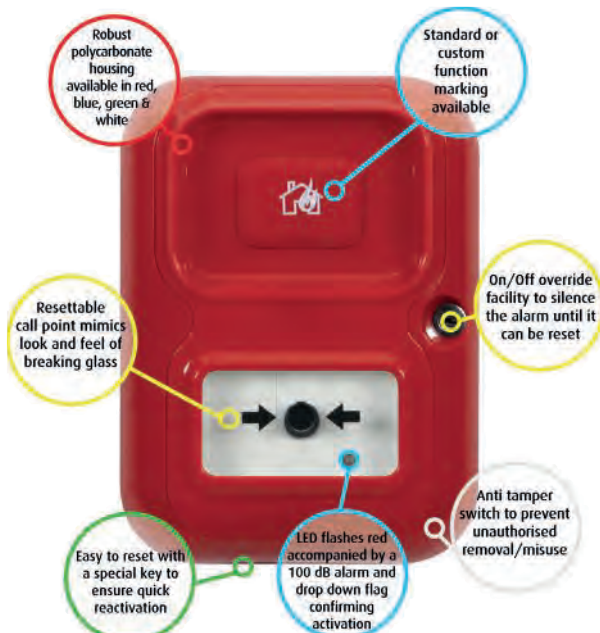
SPECIFICATION

▼ Alert Point & Alert Point:Lite Components

	Alert Point	Alert Point:Lite
9V PP3 Battery Power Source	✓	✓
External Power Terminals (12 to 24 vdc)	✓	✗
Network Terminals	✓	✓
Relay Terminals (30V dc, 1A)	✓	✗
Sounder Output Terminals	✓	✓
Beacon Output Terminals	✓	✗
Detector & MCP Input Terminals	✓	✗
Tamper Switch	✓	✗
LED	✓	✗
Master Key	✓	✓
ReSet Key	✓	✓

▼ Alert Point & Alert Point:Lite Features

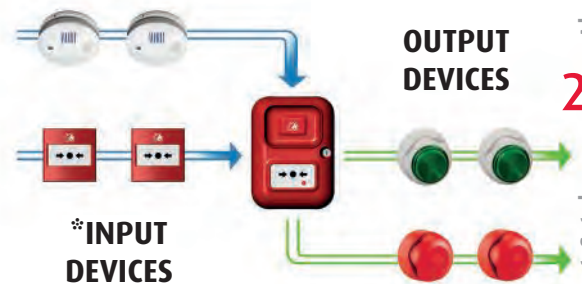
	Alert Point	Alert Point:Lite
Sounder Durations (continuous, 30 secs, 2 mins & 20 mins)	✓	✓
Beacon Time Durations (continuous, 30 secs, 2 mins & 20 mins)	✓	✗
7 Tones	✓	✓
LED Healthy/Fault Indications	✓	✗
Tamper Tone	✓	✗
Smoke Detector & MCP Connectivity	✓	✗
Low Battery Indication - Single Beep (90 secs)	✓	✓
Low Battery Indication - LED Flash (RED)	✓	✗
Networkable	✓	✓
Network Fault Indication - Double Beep (90 secs)	✓	✓
Auto/ Manual Reset Override	✓	✓
High (102dB)/Low (95dB) Volume Option	✓	✓
Beacon Upgrade Option	✓	✓



▼ Alert Point & Alert Point:Lite Specifications

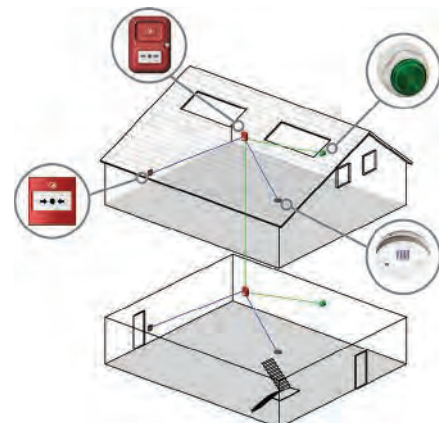
Housing Material	Polycarbonate
Electrical Contact Material	Silver Plated Brass
IP Rating	Indoor
Operating Temperature	0°C to 49°C
Installation Terminal Conductor Size	0.5 mm to 2.5 mm
Standby Current	45 uA
Alarm Current (running from battery only)	28 mA - low volume 32 mA - High volume
Cable Entries	7 Cable Entries
Weight	490 g
Dimensions	125 mm w x 170 mm x 58 mm d
Colours	Red, Green, Blue & White

▼ Alert Point Supporting Input & Output Devices



*compatible with any detector which has a built in relay output option

▼ Alert Point Typical Application



OTHER PRODUCTS FROM STI – STEEL CAGES



STI CAGES

STI stock a comprehensive range of cages designed to protect smoke detectors, smoke beam/CCTV, clock/fire bells, external/emergency lighting, motion detectors and beacon/sounders from vandalism and misuse. Constructed from plastic coated, heavy-duty galvanised steel rod, the cages can cope with the severest of abuse from vandalism or accidental damage. Installation fixings are provided, but where additional security is required, tamper resistant screws and matching bits are available.

FEATURES

- Constructed from heavy-duty galvanised steel rod
- Plastic or powder* coated for durability and external use
- Protects against vandalism or accidental damage
- Designed so there is no interference with the operation of the protected unit
- Supplied with full fixing kit
- Optional tamper resistant fixings available
- Available from stock
- Custom cages built to order
- 3-year guarantee against breakage in normal use

*on selected models

HOW TO ORDER



Telephone +44 (0) 1527 520 999



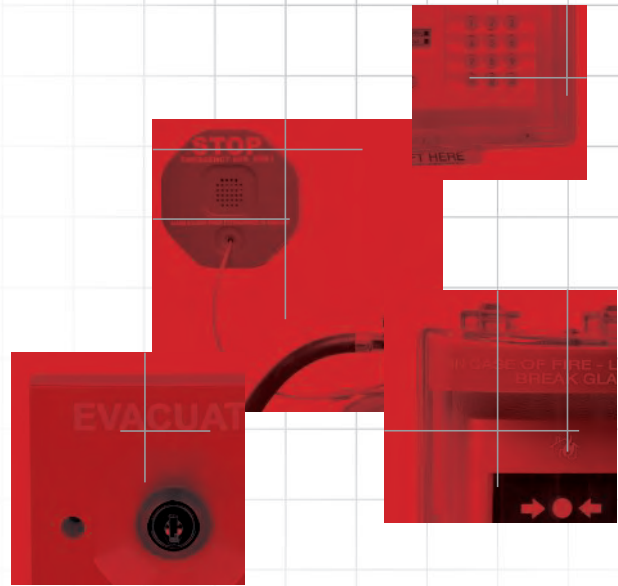
Fax +44 (0) 1527 501 999



Email sales@sti-europe.com



Post FAO Sales
STI (Europe)
Unit 49G, Pipers Road,
Park Farm Industrial Estate,
Redditch, Worcestershire,
B98 0HU, England.



PRICES

All prices are quoted in pounds sterling and will be subject to V.A.T in the UK. Export prices are quoted ex works; freight and insurance will be quoted separately.

DELIVERY TERMS UK Mainland

Carriage is charged on orders subject to our terms and conditions. All cages including custom cage orders, extinguisher cabinets and enclosures will be quoted at cost. This is due to the size of the cartons, which may on some occasions require a dedicated vehicle.

● Standard Delivery

All orders will be sent by carrier and delivered next day between 09:00 & 17:30 subject to availability and weight of package.

● Guaranteed or Special Delivery

Please request a quotation at the time of placing purchase order.

● Cages, Cabinets & Enclosure Deliveries

All cages including custom cage orders, extinguisher cabinets and enclosures will be quoted at cost. This is due to the size of the cartons, which may on some occasions require a dedicated vehicle.

Non UK Mainland

Please request a quotation at the time of placing purchase order.

DELIVERY TERMS Export

Our prices are quoted in pounds sterling based on ex works; however various carriage options will be quoted at the time of order confirmation.

Please call sales on

+44 (0) 1527 520 999

for any carriage advice.





Safety Technology International (Europe) Ltd.
Unit 49G • Pipers Road • Park Farm Industrial Estate
Redditch • Worcestershire • B98 0HU • England
Tel: +44 (0) 1527 520 999 • Fax: +44 (0) 1527 501 999
Email: info@sti-europe.com • Web: www.sti-europe.com

Safety Technology International, Inc.
2306 Airport Road • Waterford • Michigan • 48327 USA
Tel: 248 673 9898 • Fax: 248 673 1246
Email: info@sti-usa.com • Web: www.sti-usa.com