



FireWall LLC

For Fire Protection Valves



Model F-507-W Resilient Wedge Gate Valve

Technical Features

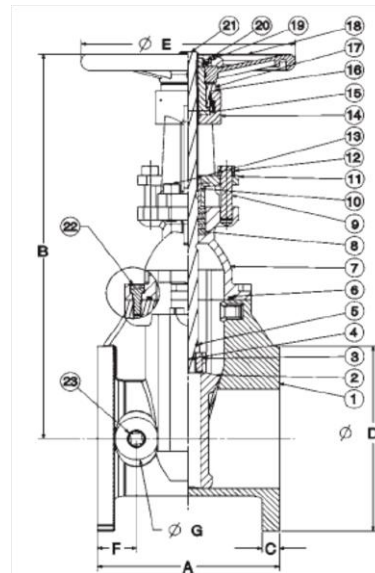
- 300 PSI/20.7 bar non-shock water working pressure
- Outside screw and yoke
- Bolted bonnet
- Resilient Wedge
- Epoxy coated body inside and out per AWWA C-550
- Flanged end connections
- Conforms to AWWA C509
- Listed by UL
- FM Approved
- Size range 2½" to 10"
- Size range 12" to 16" 250 PSI /17.2 Bar non-shock water working pressure



F-507-W

MATERIAL LIST

| PART | SPECIFICATION |
|--------------------------|--|
| 1.Valve Body | Ductile Iron ASTM A 536 |
| 2.Resilient Wedge | Ductile Iron ASTM A 536/EDPM ASTM D 2000 |
| 3.Wedge Nut | Bronze ASTM B 584 UNS C83600 |
| 4.Dowel Pin | Stainless Steel ASTM A 276 UNS S42000 4"-16" ASTM B584 UNS C92200 2"-3" |
| 5.Stem Back Seat O-Ring | EDPM ASTM D 2000 |
| 6.Bonnet Gasket | EDPM ASTM D 2000 |
| 7.Bonnet | Ductile Iron ASTM A 536 |
| 8.Stem Packing | EDPM ASTM D 2000 |
| 9.Threaded Rod | Carbon Steel Zinc Plated |
| 10.Gland Bushing | Bronze ASTM B 584 |
| 11.Gland | Cast Iron ASTM A 126-B |
| 12.Gland Nut | Stainless Steel 18-8 |
| 13.Yoke Screw | Alloy Steel ASTM A 574M Zinc Plated |
| 14.Yoke | Cast Iron ASTM A 126-B |
| 15.Yoke Bushing | Bronze ASTM B 584 |
| 16.Flat Point Set Screw | Alloy Steel ASTM F912M Black Oxide |
| 17.Yoke Bushing Retainer | Cast Iron ASTM A 126-B |
| 18.Handwheel | Ductile Iron ASTM A 536 |
| 19.Handwheel Nut | Carbon Steel Zinc Plated |
| 20.Flat Head Screw | Carbon Steel Zinc Plated |
| 21.Stem | Bronze ASTM B150 UNS C61400 |
| 22.Bonnet Screw | Alloy Steel ASTM A 574M Zinc Plated |
| 23.NPT Pipe Plug | Malleable Iron ANSI B16.3(Epoxy Coated) |
| 24.UL/FM Label | Aluminum |



DIMENSIONS---WEIGHTS---QUANTITIES

| Size | Dimensions | | | | | | | | | | | | | | Bolt Circle | Flange Holes | Turns to Open | Weight | | | | | |
|-------|------------|--------|-----|----------|------|------|------|------|------|------|-----|------|-----|------|-------------|--------------|---------------|--------|-----|----|------|-----|-----|
| | A | B Open | | B Closed | | C | | D | | E | | F | G | In | | | | mm | Lbs | Kg | | | |
| 2 1/2 | 65 | 7.5 | 190 | 17.8 | 453 | 14.9 | 378 | 0.69 | 17.5 | 7.0 | 178 | 7.9 | 200 | 1.50 | 38 | 1.6 | 40 | 5.50 | 140 | 4 | 8.8 | 45 | 20 |
| 3 | 80 | 8 | 203 | 19.7 | 500 | 15.9 | 405 | 0.75 | 19.0 | 7.5 | 191 | 7.9 | 200 | 1.73 | 44 | 2.1 | 54 | 6.00 | 152 | 4 | 10.5 | 53 | 24 |
| 4 | 100 | 9 | 229 | 21 | 534 | 16.6 | 422 | 0.94 | 24.0 | 9.0 | 229 | 10.2 | 260 | 2.13 | 54 | 2.1 | 54 | 7.50 | 191 | 8 | 10.4 | 94 | 43 |
| 6 | 150 | 10.5 | 267 | 29.3 | 744 | 22.9 | 581 | 1.00 | 25.4 | 11.0 | 279 | 12.4 | 315 | 2.24 | 57 | 2.5 | 64 | 9.50 | 241 | 8 | 15.7 | 154 | 70 |
| 8 | 200 | 11.5 | 292 | 37 | 939 | 28.5 | 724 | 1.13 | 28.6 | 13.5 | 343 | 14.8 | 375 | 2.48 | 63 | 2.8 | 70 | 11.75 | 298 | 8 | 17.2 | 247 | 112 |
| 10 | 250 | 13 | 330 | 44.8 | 1139 | 34.5 | 877 | 1.19 | 30.2 | 16.0 | 406 | 16.4 | 416 | 2.56 | 65 | 2.8 | 70 | 14.25 | 362 | 12 | 21.4 | 349 | 159 |
| 12 | 300 | 14 | 356 | 52.2 | 1326 | 39.9 | 1014 | 1.25 | 31.8 | 19.0 | 483 | 17.5 | 445 | 2.91 | 74 | 3.4 | 86 | 17.00 | 432 | 12 | 25.5 | 484 | 220 |
| 14 | 350 | 15 | 381 | 62.51 | 1595 | 46.1 | 1171 | 1.38 | 35.0 | 21.0 | 533 | 18.7 | 475 | 2.95 | 75 | 3.1 | 80 | 18.75 | 476 | 12 | 44.0 | 682 | 310 |
| 16 | 400 | 16 | 406 | 74.64 | 1900 | 53.3 | 1354 | 1.46 | 37.0 | 23.5 | 597 | 20.5 | 520 | 3.00 | 77 | 3.1 | 80 | 21.25 | 540 | 16 | 50.0 | 860 | 391 |

7045 Mechanicsville Turnpike Mechanicsville VA 23111 USA

Phone: 804-9778777 Fax: 804-9778778

WWW.FIREWALLLLC.COM

Model F-80-W Dry Barrel Fire Hydrants

Product Description:

Dry barrel hydrant for fire protection application

Standards:

Designed according to AWWA C502

Flange drilling to ANSI B 16.42, class 150

Test/Approvals:

Hydraulic test to FM Class 1510, UL 246

FM Approved- UL listed.

Features:

Meets or exceeds AWWA C502

High pressure rating (250 psi)

2 x 2.5" NST hose nozzles and One Pumper Nozzle 4-1/2"

The breakable flange and stem rod coupling ensure no leaking and easy repair at traffic knock down

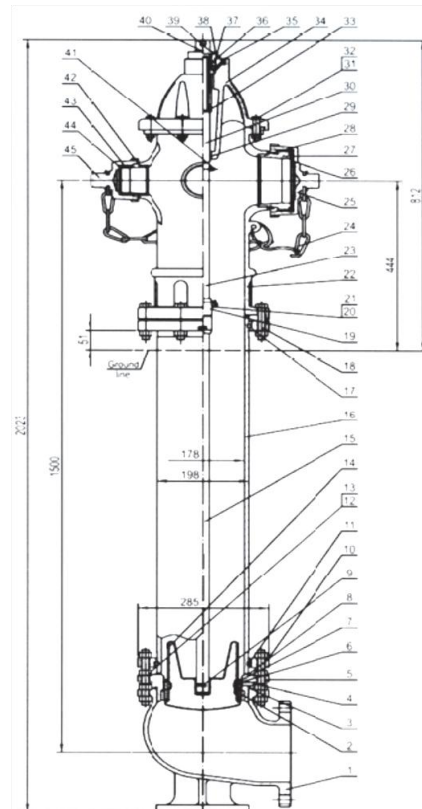
Ductile iron nozzle section, barrel section, bonnet, and base

Hydrant drain easily plugged if required - may be plugged internally or externally



MATERIAL LIST

| PART | SPECIFICATION |
|------------------------|----------------------|
| 1.Hydrant Body | ASTM A536 |
| 2.Seal Ring | ASTM B584 |
| 3.O-Ring | EPDM |
| 4.Screwd Plug | ASTM B584 |
| 5.Main Valve Flanged | ASTM A536 |
| 6.Valve Seat | ASTM B584 |
| 7.Barrel Gasket | EPDM |
| 8.Pin Axes | SS304 |
| 9.Lower Flange | ASTM A536 |
| 10.Lock Ring | SS304 |
| 11.Hex Nuts | ASTM A574 |
| 12.Stud Bolts | ASTM A574 |
| 13.Wedge | ASTM A536 With EPDM |
| 14.Lower Stem | ASTM A574M |
| 15.Barrel | ASTM A536 |
| 16.Breakable Flange | ASTM A536 |
| 17.Bolts | ASTM A574 |
| 18.Coupling | ASTM A574 |
| 19.Pin Axes | SS304 |
| 20.Pin | SS304 |
| 21.Drain Pipe | ASTM A536 |
| 22.Up Stem | ASTM A574M |
| 23.Link | |
| 24.Big Nozzle Cap | ASTM A536 |
| 25.Big Sealed Gasket | EPDM |
| 26.Big Outlet | ASTM B584 |
| 27.O-Ring | EPDM |
| 28.O-Ring | ASTM B584 |
| 29.Stem | SS410 |
| 30.Hex Nuts | ASTM A574 |
| 31.Screw | ASTM A574 |
| 32.Stop Nut | 45# |
| 33.Hydrant Bonnet | ASTM A536 |
| 34.Oil Cup | |
| 35.O-Ring | EPDM |
| 36.O-Ring | EPDM |
| 37-Bush | ASTM B16 -H02 C36000 |
| 38-Dust Proof Ring | EPDM |
| 39-Stem Nut | ASTM B584 |
| 40.Pin Axes | SS304 |
| 41-O-Ring | EPDM |
| 42.Small Outlet | ASTM B584 |
| 43.Small Sealed Gasket | EPDM |
| 44.Small Nozzle Cap | ASTM A536 |



Model F-501-W Resilient Wedge NRS Gate Valve

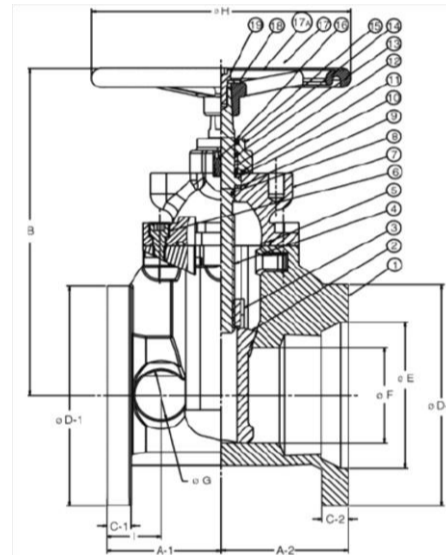
Technical Features

- 300 PSI/20.1 Bar non-shock cold working pressure
- Non-rising stem , Resilient wedge, Bolted bonnet
- Conforms to AWWA C509, Flanged end connections
- Size range 2-1/2" to 10"
- Size range 12" to 16" 250 PSI/ 17.2 Bar



MATERIAL LIST

| PART | SPECIFICATION |
|------------------------------|--|
| 1.Valve Body | Ductile Iron ASTM A 536 |
| 2.Resilient Wedge | Ductile Iron ASTM A 536/EDPM ASTM D 2000 |
| 3.Wedge Nut | Bronze ASTM B 584 UNS C83600 |
| 4.Stem | 4"-16" ASTM B584 UNS C92200 2"-3" |
| 5.Bonnet Gasket | Bronze ASTM B 150 UNS C61400 |
| 6.Bonnet Screw | EDPM ASTM D 2000 |
| 7.Bonnet | Alloy Steel ASTM A 574M Zinc Plated |
| 8.Stem Primary O-Ring | Ductile Iron ASTM A 536 |
| 9.Stem Thrust Washer(lower) | EDPM ASTM D 2000 |
| 10.Stem Thrust Washer(upper) | Bronze ASTM B 584 UNS C83600 |
| 11.Gland Seal O-Ring | Stainless Steel ASTM A 276 UNS S41000 |
| 12.Stem Seal Bushing | EDPM ASTM D 2000 |
| 13.Stem Secondary O-Ring(2) | Bronze ASTM B 584 UNS C83600 |
| 14.Gland Flange | EDPM ASTM D 2000 |
| 15.Gland Flange Screw | Ductile Iron ASTM A 536 |
| 16.Stem Ringer Wiper | Alloy Steel ASTM A 574M Zinc Plated |
| 17.Square Operating Nut | EDPM ASTM D 2000 |
| 17A. Handwheel (Optional) | Cast Iron ASTM A 126-B |
| 18.Flat Washer | Ductile Iron ASTM A 536 |
| 19.Screw | Carbon Steel Zinc Plated |
| | Alloy Steel ASTM A 574M Zinc Plated |



DIMENSIONS---WEIGHTS---QUANTITIES

| Size | Dimensions | | | | | | | | | | | | | | Bolt Circle | Flange Holes | Turns to Open | Weight | | | |
|-------|------------|------|-----|------|-----|------|------|------|-----|------|----|-----|----|------|-------------|--------------|---------------|--------|------|-----|-----|
| | In | mm | In | mm | In | mm | In | mm | In | mm | In | mm | In | mm | | | | Lbs | Kg | | |
| 2 1/2 | 65 | 7.5 | 190 | 11.3 | 287 | 0.69 | 17.5 | 7.0 | 178 | 1.50 | 38 | 1.6 | 40 | 7.9 | 200 | 5.50 | 140 | 4 | 8.8 | 35 | 16 |
| 3 | 80 | 8 | 203 | 12.6 | 321 | 0.75 | 19 | 7.5 | 191 | 1.73 | 44 | 2.1 | 54 | 10.2 | 260 | 6.00 | 152 | 4 | 10.6 | 45 | 20 |
| 4 | 100 | 9 | 229 | 13.5 | 344 | 0.94 | 24 | 9.0 | 229 | 2.13 | 54 | 2.1 | 54 | 10.2 | 260 | 7.50 | 191 | 8 | 3.0 | 71 | 32 |
| 6 | 150 | 10.5 | 267 | 17.4 | 441 | 1.00 | 25.4 | 11.0 | 279 | 2.24 | 57 | 2.5 | 64 | 14.8 | 375 | 9.50 | 241 | 8 | 15.6 | 122 | 55 |
| 8 | 200 | 11.5 | 292 | 20.8 | 529 | 1.13 | 28.6 | 13.5 | 343 | 2.48 | 63 | 2.8 | 70 | 14.8 | 375 | 11.75 | 298 | 8 | 17.3 | 196 | 89 |
| 10 | 250 | 13 | 330 | 24.2 | 614 | 1.19 | 30.2 | 16.0 | 406 | 2.56 | 65 | 2.8 | 70 | 15.7 | 400 | 14.25 | 362 | 12 | 21.4 | 294 | 134 |
| 12 | 300 | 14 | 356 | 27.6 | 700 | 1.25 | 31.8 | 19.0 | 483 | 2.91 | 74 | 3.4 | 86 | 19.7 | 500 | 17.00 | 432 | 12 | 25.3 | 426 | 194 |
| 14 | 350 | 15 | 381 | 31.8 | 807 | 1.38 | 35 | 21.0 | 533 | 2.95 | 75 | 3.1 | 80 | 19.7 | 500 | 18.75 | 476 | 12 | 44 | 600 | 273 |
| 16 | 400 | 16 | 406 | 34.1 | 869 | 1.46 | 37 | 23.5 | 597 | 3.00 | 77 | 3.1 | 80 | 19.7 | 500 | 21.25 | 540 | 16 | 50 | 810 | 369 |

Model F-706-U Swing Check Valve

Technical Features

Horizontal Swing, Bolted Bonnet, Renewable Seat and Disc.

Specifications: Conforms to MSS SP-71

Working Pressure: 200 PSI.

Connection: Flanged ends to ANSI B16.1 Class 125.

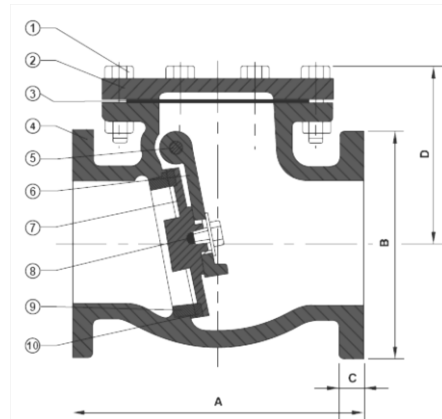
Suitable for horizontal or vertical installation.

Size range : 3" to 12"



MATERIAL LIST

| PART | SPECIFICATION |
|------------------|-----------------------------|
| 1.Bolt | Steel ASTM A307-A |
| 2.Cover | Cast Iron ASTM A126 Class B |
| 3.Cover Gasket | Non-Asbestos |
| 4.Body | Cast Iron ASTM A126 Class B |
| 5.Hinge Pin | Brass ASTM B16 |
| 6.Clapper Arm | Bronze ASTM B-62 C83600 |
| 7.Clapper | Bronze ASTM B-62 C83600 |
| 8.Cap Screw Bolt | Bronze ASTM B-21 |
| 9.Body Seat Ring | Bronze ASTM B-62 C83600 |
| 10.Clapper Ring | Bronze ASTM B-62 C83600 |



DIMENSIONS---WEIGHTS---QUANTITIES

| Size | Dimensions | | | | | | | | Weight | | |
|------|------------|-------|-----|-------|-----|------|----|-------|--------|-----|-----|
| | A | | B | | C | | D | | Lbs | Kg | |
| In | mm | In | m | In | mm | In | mm | In | mm | | |
| 3 | 80 | 10.25 | 260 | 7.50 | 191 | 0.75 | 19 | 6.63 | 168 | 62 | 28 |
| 4 | 100 | 13.00 | 330 | 9.00 | 229 | 0.94 | 24 | 8.00 | 203 | 103 | 47 |
| 6 | 150 | 16.25 | 413 | 11.00 | 279 | 1.00 | 25 | 10.31 | 262 | 174 | 79 |
| 8 | 200 | 19.50 | 495 | 13.50 | 343 | 1.13 | 29 | 11.5 | 292 | 290 | 132 |
| 10 | 250 | 22.00 | 559 | 16.00 | 406 | 1.19 | 30 | 13.31 | 338 | 490 | 223 |
| 12 | 300 | 27.50 | 699 | 19.00 | 483 | 1.25 | 32 | 15.56 | 395 | 683 | 310 |

Model F-104-W 175 PSI WWP Bronze Gate Valve



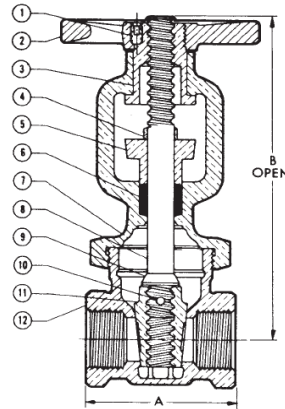
Technical Features

- Rising stem
- Solid wedge
- Screw-over bonnet
- Outside screw and yoke
- Class 125 threaded female end connections
- 175 psi/12.1 bar non-shock water working pressure (WWP)
- Size: 3/4" to 2"



MATERIAL LIST

| PART | SPECIFICATION |
|------------------|---------------------------------------|
| 1. Set Screw | Steel ASTM A307 |
| 2. HandWheel | Malleable Iron |
| 3. Yoke Bushing | Brass ASTM B16 |
| 4. Gland Bolts | Steel ASTM A307 Zinc plated |
| 5. Packing Gland | Bronze ASTM B62 |
| 6. Packing | Non Asbestos Aramid Fibers W/Graphite |
| 7. Bonnet | Bronze ASTM B62 |
| 8. Stem | Silicon Bronze ASTM B371 Alloy C69430 |
| 9. Stem Collar | Silicon Bronze ASTM B371 Alloy C69430 |
| 10. Wedge Pin | Bronze ASTM B140 Alloy C31400 |
| 11. Wedge | Bronze ASTM B62 |
| 12. Body | Bronze ASTM B62 |



DIMENSIONS---WEIGHTS---QUANTITIES

| Size | Dimensions | | | | Handwheel | | Weight | Box Qty. | Master Ctn.Qty. |
|-------|------------|----------|----------|----------|-----------|--------|--------|----------|-----------------|
| | A | | B | | Diameter | | | | |
| In mm | In mm | In mm | In mm | In mm | In mm | Lbs Kg | | | |
| 3/4 | 20 2.44 | 62 6.44 | 164 3.25 | 88 2.83 | 1.29 | 1 20 | | | |
| 1 | 25 2.88 | 73 7.44 | 189 3.25 | 88 3.67 | 1.67 | 1 10 | | | |
| 1.1/4 | 32 3.13 | 79 8.69 | 221 4.00 | 100 5.83 | 2.65 | 1 10 | | | |
| 1.1/2 | 40 3.38 | 84 9.38 | 238 4.00 | 100 6.84 | 3.11 | 1 10 | | | |
| 2 | 50 3.44 | 87 10.59 | 269 3.50 | 89 9.74 | 4.44 | 1 6 | | | |

Model F-402-W 300 WOG Bronze Check Valve

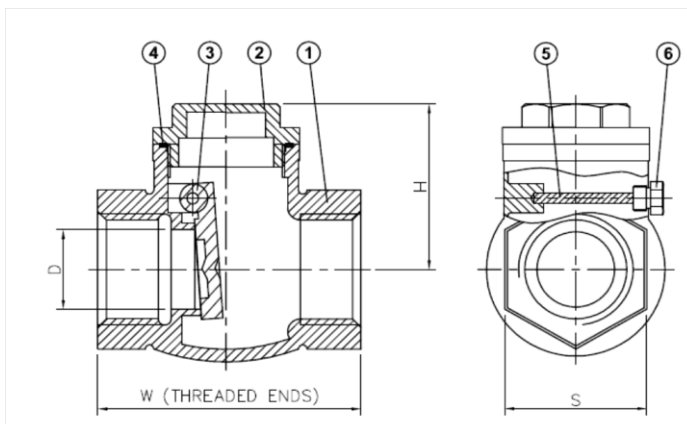
Technical Features

- Bronze Swing Check Valve
- 300 WOG Non-Shock
- 150 WSP
- Horizontal Pattern
- Bronze Disc
- Threaded Cap
- Size 1/2" to 3"



MATERIAL LIST

| PART | SPECIFICATION |
|-------------|--------------------|
| 1.BODY | Bronze ASTM C84400 |
| 2.CAP | Bronze ASTM C84400 |
| 3.DISC | Bronze ASTM C84400 |
| 4.GASKET | PTFE |
| 5.HINGE PIN | COPPER ALLOY |
| 6.HEX PLUG | COPPER ALLOY |



DIMENSIONS---WEIGHTS---QUANTITIES

| Size | Dimensions | | | | | | | | |
|-------|------------|------|-----|------|-------|------|------|------|-----|
| | W | | H | | D | | S | | |
| | In | mm | In | mm | In | mm | In | mm | |
| 1/2 | 15 | 2.20 | 56 | 1.50 | 38 | 0.53 | 13.5 | 1.06 | 27 |
| 3/4 | 20 | 2.40 | 61 | 1.56 | 39.50 | 0.75 | 19 | 1.30 | 33 |
| 1 | 25 | 2.76 | 70 | 1.73 | 44 | 0.94 | 24 | 1.54 | 39 |
| 1-1/4 | 32 | 3.23 | 82 | 2.11 | 53.5 | 1.22 | 31 | 1.97 | 50 |
| 1-1/2 | 40 | 3.78 | 96 | 2.38 | 60.5 | 1.46 | 37 | 2.17 | 55 |
| 2 | 50 | 4.29 | 109 | 2.74 | 69.5 | 1.89 | 48 | 2.60 | 66 |
| 2-1/2 | 65 | 5.39 | 137 | 3.37 | 85.5 | 2.44 | 62 | 3.27 | 83 |
| 3 | 80 | 5.91 | 150 | 3.58 | 91 | 2.95 | 75 | 3.98 | 101 |

Model F-405-W 300 WOG Bronze Check Valve

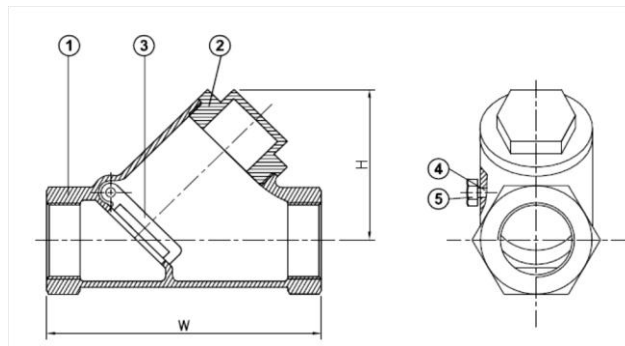
Technical Features

Bronze Swing Check Valve
 300 WOG
 Y Pattern
 Threaded Ends Conform with ANSI B2.1
 Size: 1/2" to 2"



MATERIAL LIST

| PART | SPECIFICATION |
|-------------|--------------------|
| 1.BODY | Bronze ASTM C84400 |
| 2.CAP | Bronze ASTM C84400 |
| 3.DISC | Bronze ASTM C84400 |
| 4.HINGE PIN | COPPER ALLOY |
| 5.HEX PLUG | COPPER ALLOY |



DIMENSIONS---WEIGHTS---QUANTITIES

| Size | Dimensions | | | | Weight | | Box Master | | |
|-------|------------|------|-----|------|--------|------|------------|----------|----|
| | In | mm | In | mm | Lbs | Kg | Qty. | Ctn.Qty. | |
| 1/2 | 15 | 2.20 | 56 | 1.65 | 42 | 0.55 | 0.25 | 1 | 50 |
| 3/4 | 20 | 2.75 | 70 | 1.97 | 50 | 0.90 | 0.41 | 1 | 50 |
| 1 | 25 | 3.15 | 80 | 2.28 | 58 | 1.46 | 0.66 | 1 | 30 |
| 1-1/4 | 32 | 3.78 | 96 | 2.72 | 69 | 2.17 | 0.99 | 1 | 20 |
| 1-1/2 | 40 | 4.33 | 110 | 3.19 | 81 | 2.95 | 1.34 | 1 | 10 |
| 2 | 50 | 5.04 | 128 | 3.86 | 98 | 4.79 | 2.17 | 1 | 10 |



Certificate of Compliance

This certificate is issued for the following:

GATE VALVES

**OUTSIDE SREW & YOKE TYPE (OS&Y)
MODELS F-500-W, F-505-W, F-507-W**

**NON-RISING STEM TYPE (NRS)
MODELS F-501-W, F-502-W, F-503-W, F-504-W**

Prepared for:

**FireWall Valve LLC
7045 Mechanicsville Turnpike
Mechanicsville, VA 23111**

FM Approvals Class: 1120/1130, dated April 1997

Approval Identification: 0003050078 Approval Granted: September 25, 2013

To verify the availability of the Approved product, please refer to www.approvalguide.com

Said Approval is subject to satisfactory field performance, continuing Surveillance Audits, and strict conformity to the constructions as shown in the Approval Guide, an online resource of FM Approvals.

A handwritten signature in dark ink, appearing to read "Richard B. Dunne", is written over a horizontal line.

**Richard B. Dunne
Group Manager – Fire Protection
FM Approvals
1151 Boston-Providence Turnpike
Norwood, MA 02062**



Member of the FM Global Group



Certificate of Compliance

This certificate is issued for the following:

SINGLE CHECK VALVES

MODELS
F706U, F707U, F708U

Prepared for:

FireWall Valve LLC
7045 Mechanicsville Turnpike
Mechanicsville, VA 23111

FM Approvals Class: 1210, dated June 2004

Approval Identification: 0003049163 Approval Granted: April 19, 2013

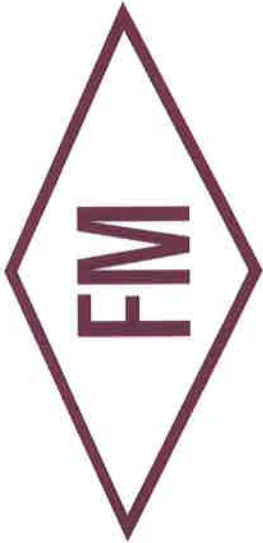
Said Approval is subject to satisfactory field performance, continuing Surveillance Audits, and strict conformity to the constructions as shown in the Approval Guide, an online resource of FM Approvals.

A handwritten signature in dark ink, appearing to read 'Richard B. Dunne', is written over a horizontal line.

Richard B. Dunne
Group Manager – Fire Protection
FM Approvals
1151 Boston-Providence Turnpike
Norwood, MA 02062



Member of the FM Global Group



APPROVED

Certificate of Compliance

This certificate is issued for the following:

INDICATOR POSTS

MODELS
F609W, F610W

Prepared for:

FireWall Valve LLC
7045 Mechanicsville Turnpike
Mechanicsville, VA 23111

FM Approvals Class: 1110, dated November 1990

Approval Identification: 0003049163 Approval Granted: April 19, 2013

Said Approval is subject to satisfactory field performance, continuing Surveillance Audits, and strict conformity to the constructions as shown in the Approval Guide, an online resource of FM Approvals.

Richard B. Dunne
Group Manager – Fire Protection
FM Approvals
1151 Boston-Providence Turnpike
Norwood, MA 02062



Member of the FM Global Group



APPROVED

Certificate of Compliance

This certificate is issued for the following:

**GATE VALVES
OUTSIDE SCREW & YOKE TYPE (OS&Y)**

Model F-104W

Sizes: 3/4, 1, 1-1/4, 1-1/2, 2

Prepared for:

**FireWall Valve LLC
7045 Mechanicsville Turnpike
Mechanicsville, VA 23111**

FM Approvals Class: 1120/1130, dated April 1997

Approval Identification: 0003049264 Approval Granted: May 17, 2013

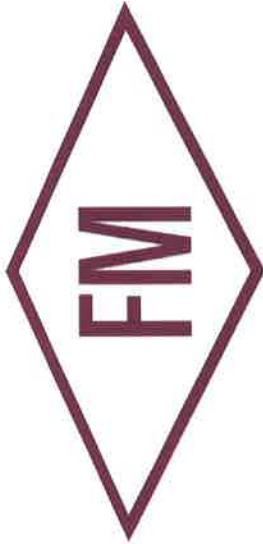
Said Approval is subject to satisfactory field performance, continuing Surveillance Audits, and strict conformity to the constructions as shown in the Approval Guide, an online resource of FM Approvals.

To verify the availability of the Approved product, please refer to www.approvalguide.com

**Richard B. Dunne
Group Manager – Fire Protection
FM Approvals
1151 Boston-Providence Turnpike
Norwood, MA 02062**



Member of the FM Global Group



APPROVED

Certificate of Compliance

This certificate is issued for the following:

GATE VALVES

**OUTSIDE SREW & YOKE TYPE (OS&Y)
MODELS**

F701W, F703W, F705W, F710U, F901W

**NON-RISING STEM TYPE (NRS)
MODELS**

F900W, F900WM, F700W, F702W, F704W, F800W, F801W

Prepared for:

**FireWall Valve LLC
7045 Mechanicsville Turnpike
Mechanicsville, VA 23111**

FM Approvals Class: 1120/1130, dated April 1997

Approval Identification: 0003049163 Approval Granted: April 19, 2013

Said Approval is subject to satisfactory field performance, continuing Surveillance Audits, and strict conformity to the constructions as shown in the Approval Guide, an online resource of FM Approvals.

Richard B. Dunne
Group Manager – Fire Protection
FM Approvals
1151 Boston-Providence Turnpike
Norwood, MA 02062



Member of the FM Global Group



Certificate of Compliance

This certificate is issued for the following:

**MODEL F-706-W AND F-708-W
SWING CHECK VALVES**

Prepared for:

FIREWALL VALVE LLC
7045 Mechanicsville Turnpike
Mechanicsville VA 23111

FM Approvals Class: 1210

Approval Identification: 0003052192

Approval Granted: April 14, 2014

To verify the availability of the Approved product, please refer to www.approvalguide.com

Said Approval is subject to satisfactory field performance, continuing Surveillance Audits, and strict conformity to the constructions as shown in the Approval Guide, an online resource of FM Approvals.

A handwritten signature in dark ink, appearing to read "Richard B. Dunne", is written over a white rectangular background.

Richard B. Dunne
Manager, Fire Protection
FM Approvals
1151 Boston-Providence Turnpike
Norwood, MA 02062



Member of the FM Global Group

HMER.EX16298 Check Valves

[Page Bottom](#)

Check Valves

[See General Information for Check Valves](#)

FIREWALL L L C

EX16298

7045 MECHANICSVILLE TPKE

MECHANICSVILLE, VA 23111 USA

Swing type, Model F708U, 3, 4, 6 and 8 in. sizes flanged end check valves rated pressure for 250 psig. Horizontal or vertical installation.

Swing type, Model F707U, 3, 4, 6 and 8 in. sizes grooved end check valves rated pressure for 200 psig. Horizontal or vertical installation.

Swing type, Model F706U, 3, 4, 6, 8, 10 and 12 in. sizes flanged end check valves rated pressure for 200 psig. Horizontal or vertical installation.

Swing-type check valves, Model F-706-W, sizes 2 to 12 in. with rubber faced checks, rated for 300 psi, horizontal or vertical installation.

Swing-type check valve, Model F-708-W, sizes 2 to 12 in. with rubber faced checks, rated for 200 psi, horizontal or vertical installation.

[Last Updated](#) on 2014-04-15

HMRZ.EX16297 Gate Valves

Gate Valves

[See General Information for Gate Valves](#)

FIREWALL L L C

EX16297

7045 MECHANICSVILLE TPKE

MECHANICSVILLE, VA 23111-7100 USA

| Pattern | Model | Size, in. | End Configuration | Rated Pressure, psig |
|----------------|------------------|----------------------------------|--------------------------|-----------------------------|
| NRS | F900W, F900WM | 2-1/2, 3, 4, 6, 8, 10, 12 | Flanged and Mechanical | 175 |
| NRS | F800W | 2-1/2, 3, 4, 6, 8, 10, 12 | Flanged and Mechanical | 200 |
| NRS | F801W | 2-1/2, 3, 4, 6, 8, 10, 12 | Flanged and Mechanical | 200 |
| OS&Y | F710U | 2-1/2, 3, 4, 6, 8, 10, 12 | Flanged | 200 |
| OS&Y | F901W | 2, 2-1/2, 3, 4, 6, 8, 10, 12 | Flanged | 175 |
| NRS | F702W | 2-1/2, 3, 4, 6, 6-1/2, 8, 10, 12 | Grooved | 250 |
| NRS | F700W | 2-1/2, 3, 4, 6, 6-1/2, 8, 10, 12 | Flanged | 250 |
| NRS | F704W | 2-1,2, 3, 4, 6, 6-1/2, 8, 10, 12 | Grooved x Flanged | 250 |
| OS&Y | F703W | 2-1/2, 3, 4, 6, 6-1/2, 8, 10, 12 | Grooved | 250 |
| OS&Y | F701W | 2-1/2, 3, 4, 6, 6-1/2, 8, 10, 12 | Flanged | 250 |
| OS&Y | F705W | 2-1/2, 3, 4, 6, 6-1/2, 8, 10, 12 | Grooved x flanged | 250 |
| OS&Y | F-507-W | 2.5,3,4,6,8,10 | FLG By FLG | 300 |

| | | | | |
|------|---------|---|------------|-----|
| OS&Y | F-507-W | 12, 14, 16 | FLG By FLG | 250 |
| NRS | F-501-W | 2.5, 3, 4, 6, 8, 10 | FLG By FLG | 300 |
| NRS | F-501-W | 12, 14, 16 | FLG By FLG | 250 |
| NRS | F-502-W | 2.5, 2.5 (76.1mm), 3, 4, 6 (165.1mm), 6, 8, 10 | GRV By GRV | 300 |
| NRS | F-502-W | 12, 14, 16 | GRV By GRV | 250 |
| NRS | F-503-W | 3, 4, 6, 8, 10 | MJ By MJ | 300 |
| NRS | F-503-W | 12, 14, 16 | MJ By MJ | 250 |
| NRS | F-504-W | 2.5, 2.5 (76.1mm), 3, 4, 6 (165.1mm), 6, 8, 10 | FLG By GRV | 300 |
| NRS | F-504-W | 12, 14, 16 | FLG By GRV | 250 |
| OS&Y | F-500-W | 2.5, 2.5 (76.1mm), 3,4, 6 (165.1mm), 6, 8, 10 | GRV By GRV | 300 |
| OS&Y | F-500-W | 12, 14, 16 | GRV By GRV | 250 |
| OS&Y | F-505-W | 2.5, 2.5 (76.1mm), 3, 4, 6 (165.1mm), 6, 8, 10 | FLG By GRV | 300 |
| OS&Y | F-505-W | 12, 14, 16 | FLG By GRV | 250 |

[Last Updated](#) on 2014-04-25

[Questions?](#)

[Print this page](#)